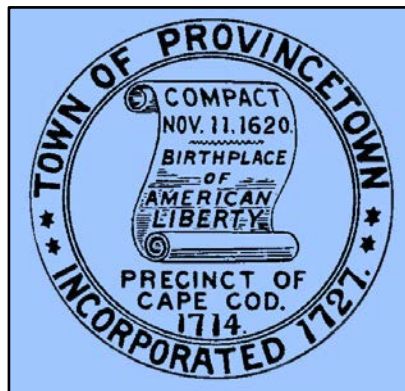

**Project Manual
for
Bradford Street Sidewalk Improvements
Provincetown, Massachusetts**



Town of Provincetown
Provincetown Town Hall
260 Commercial Street
Provincetown, Massachusetts 02667

March 2019

TABLE OF CONTENTS

	<u>PAGE</u>
INVITATION TO BID	Section 1, page 1 thru 2
INSTRUCTIONS TO BIDDERS	Section 2, page 1 thru 6
FORM FOR GENERAL BID.....	Section 3, page 1 thru 3
BID ATTACHMENTS	Section 4, page 1 thru 4
AGREEMENT	Section 5, page 1 thru 7
General Conditions of the Construction Contract.....	Section 6, page 1 thru 17
ATTACHMENT A (two separate drawings).....	Section 7, page 1, & separate pdf file drawings 01 & 02
ATTACHMENT B (Prevailing Wage Rates).....	Section 7, page 1, & separate pdf file pages 1 thru 40

INVITATION TO BID
BRADFORD STREET SIDEWALK IMPROVEMENTS PROJECT
TOWN OF PROVINCETOWN, MASSACHUSETTS

Sealed Bids for new sidewalk, granite curb, and concrete pad for the Town of Provincetown will be received at the Office of the Town Manager, Provincetown Town Hall, 260 Commercial Street, Provincetown, MA 02657 until **2:00 p.m. local time on Thursday 3/28/19**. At that time sealed bids will be publicly opened and read aloud in the Judge Welsh Room at Town Hall.

Copies of Bidding Documents are available online at the Town of Provincetown website or can be viewed at the Provincetown DPW, Veterans Memorial Community Center, 2 Mayflower Street, Provincetown, MA 02657.

A Bid security and payment bond will not be required for this project, as the contract amount is expected to be less than \$25,000.

A non-mandatory Pre Bid Conference will be held at 1:00 p.m. on 3/21/19 at Caucus Hall in Town Hall located at 260 Commercial Street, Provincetown, MA. Representatives of Owner and Engineer will be present to discuss the Project. Bidders are encouraged to attend and participate in the conference.

Direct all questions regarding distribution of Bidding Documents to Elisabeth Verde at everde@provincetown-ma.gov or 508-487-7002.

All other questions shall be submitted in writing to Bob Capurso at rcapurso@provincetown-ma.gov or 508-487-7060. The subject heading for all e-mails shall be:

Subject: BRADFORD STREET SIDEWALK IMPROVEMENTS PROJECT

No response will be given to questions received less than 5 business days before the Bid opening date.

All bids for this project are subject to applicable public bidding laws of Massachusetts, including, but not limited to Massachusetts General Law Chapter 30 Section 39M, and all other applicable Massachusetts General Laws.

Attention is directed to the minimum wage rates to be paid as determined by the Commissioner of Labor and Workforce Development and the weekly payroll record submittal requirements under the provisions of Massachusetts General Laws, Chapter 149, Sections 26 through 27D inclusive.

Selection of the contractor will be based upon bidder qualifications, including evidence of past performance in similar projects, and bid price. The contract will be awarded to the bidder deemed by the awarding authority to be the lowest responsible and eligible bidder.

The bidder agrees that its bid shall be good and may not be withdrawn for a period of 30 days, Saturdays, Sundays, and legal holidays excluded, after the opening of the bids.

The Town of Provincetown reserves the right to waive any informalities, to accept or reject, in whole or in any part or all bids, or take whatever other action may be deemed to be in the best interest of the Town.

Bidders shall review and acknowledge all Addenda on the Bid Form.

Bidders are required to certify, under penalty of perjury, that Bids have been prepared without collusion with other Bidders, subcontractors, suppliers, etc. This certification is included with the Bid Form and each Bidder must sign in the space provided.

The Town of Provincetown, Massachusetts

*David B. Panagore
Town Manager*

Posted: Town Hall, <http://www.provincetown-ma.gov>,
Published: Central Register,

INSTRUCTIONS TO BIDDERS

QUALIFICATIONS OF BIDDERS

Bidder is advised to carefully review those portions of the Bid Form requiring Bidder's representations and certifications.

EXAMINATION OF BIDDING DOCUMENTS, OTHER RELATED DATA, AND SITE

It is the responsibility of each Bidder before submitting a Bid to:

examine and carefully study the Bidding Documents, and the other related data identified in the Bidding Documents;

visit the Site and become familiar with and satisfy Bidder as to the general, local, and Site conditions that may affect cost, progress, and performance of the Work;

become familiar with and satisfy Bidder as to all federal, state, and local Laws and Regulations that may affect cost, progress, or performance of the Work;

promptly give Engineer written notice of all conflicts, errors, ambiguities, or discrepancies that Bidder discovers in the Bidding Documents and confirm that the written resolution thereof by Engineer is acceptable to Bidder; and

determine that the Bidding Documents are generally sufficient to indicate and convey understanding of all terms and conditions for the performance of the Work.

The submission of a Bid will constitute an incontrovertible representation by Bidder that without exception the Bid is premised upon performing and furnishing the Work required by the Bidding Documents and applying any specific means, methods, techniques, sequences, and procedures of construction that may be shown or indicated or expressly required by the Bidding Documents.

PRE-BID CONFERENCE

A pre-Bid conference will be held as indicated in the Invitation to Bid. Any oral statements made during this pre-bid meeting will not be binding or legally effective.

SITE AND OTHER AREAS

The Site is identified in the Bidding Documents. Owner will designate an area for the temporary storage of construction equipment and materials for this project. Contractor will be responsible for safeguarding this equipment and materials.

INTERPRETATIONS AND ADDENDA

All questions about the meaning or intent of the Bidding Documents are to be submitted to Engineer in writing. Only questions answered by Addenda will be binding. Oral and other interpretations or clarifications will be without legal effect. Questions received less than five days prior to the date for the applicable opening of Bids may not be answered (questions due by close of business – 5:00 PM, local time).

Failure of a bidder to receive any addendum, or to acknowledge receipt thereof, will not relieve such bidder from conforming with the requirements which such addendum impose on his Bid or the Contract Documents, and may subject his Bid to disqualification by Owner.

It is the bidder's responsibility to periodically check the Town's website for addenda and project updates.

BID SECURITY

A Bid security is not required for this project.

CONTRACT TIMES

The date which the Work is to be substantially completed and ready for final payment shall be 30 calendar days from the Notice to Proceed.

LIQUIDATED DAMAGES

Provisions for liquidated damages, if any, are set forth in the Agreement.

“OR-EQUAL” SUBSTITUTIONS

The Contract, if awarded, will be on the basis of materials and equipment specified or described in the Bidding Documents without consideration of possible “or-equal” items. Engineer's decision of approval or disapproval of a proposed “or-equal” item will be final.

PREPARATION OF BID

The Bid Form is included with the Bidding Documents.

All blanks on the Bid Form shall be completed in ink and the Bid Form signed in ink. Erasures or alterations shall be initialed in ink by the person signing the Bid Form.

A Bid by a corporation shall be executed in the corporate name by the president or a vice-president or other corporate officer accompanied by evidence of authority to sign. The corporate seal shall be affixed and attested by the secretary or an assistant secretary. The corporate address and state of incorporation shall be shown.

A Bid by a partnership shall be executed in the partnership name and signed by a partner (whose title must appear under the signature), accompanied by evidence of authority to sign. The official address of the partnership shall be shown.

A Bid by a limited liability company shall be executed in the name of the firm by a member and accompanied by evidence of authority to sign. The state of formation of the firm and the official address of the firm must be shown.

A Bid by an individual shall show the Bidder's name and official address.

A Bid by a joint venture shall be executed by each joint venture in the manner indicated on the Bid form. The official address of the joint venture must be shown.

All names shall be printed in ink below the signatures.

The Bid shall contain an acknowledgment of receipt of all Addenda, the numbers of which shall be filled in on the Bid Form.

Postal and email addresses and telephone number for communications regarding the Bid shall be shown.

The product furnished is to meet or exceed all specified requirements of the Bidding Documents. No evaluation of submittals will be made prior to the Bid opening.

BASIS OF BID; COMPARISON OF BIDS

Lump Sum

Bidders shall submit a Bid on a lump sum basis as set forth in the Bid Form.

Unit Price

Bidders shall submit a unit price basis for additional work as listed on the Bid Form.

Resolution of Discrepancies

Where there are discrepancies between numbers and words, words shall prevail.

SUBMITTAL OF BID

Applicable provisions of Massachusetts General Laws and Regulations and/or the United States Code and Code of Federal Regulations govern this Contract and any provision in violation of the foregoing shall be deemed null, void and of no effect. Where conflict between Code of Federal Regulations and State Laws and Regulations exist, the more stringent requirement shall apply.

The contractor guarantees that the Work and Services to be performed under the Contract, and all workmanship, materials and equipment performed, furnished, used or installed in the construction of the same shall be free from defects and flaws, and shall be performed and furnished in strict accordance with the Drawings, Specifications, and other contract documents.

If at any time within the said period of guarantee any part of the Work requires repairing, correction or replacement, the Owner may notify the contractor in writing to make the required repairs, correction or replacements. If Contractor does not promptly comply with the terms of Owner's written instructions, or in an emergency where delay would cause serious risk of loss or damage, Owner may have the defective Work corrected or repaired or may have the rejected Work removed and replaced. All claims, costs, losses, and damages (including but not limited to all fees and charges of engineers, architects, attorneys, and other professionals and all court or arbitration or other dispute resolution costs) arising out of or relating to such correction or repair or such removal and replacement (including but not limited to all costs of repair or replacement of work of others) will be paid by Contractor.

A Bid shall be submitted no later than the date and time prescribed and at the place indicated in the advertisement or invitation to bid and shall be enclosed in a plainly marked package with the Project title (and, if applicable, the designated portion of the Project for which the Bid is submitted), the name and address of Bidder. If a Bid is sent by mail or other delivery system, the sealed envelope containing the Bid shall be enclosed in a separate envelope plainly marked on the outside with the notation "BID ENCLOSED." When using the mail or other delivery system, the Bidder is totally responsible for the mail or other delivery system delivering the Bid at the place and prior to the time indicated in the Advertisement for Bid. A mailed Bid shall be addressed to Owner at Town of Provincetown, 260 Commercial Street, Provincetown, MA 02657.

MODIFICATION AND WITHDRAWAL OF BID

A Bid may be modified or withdrawn by an appropriate document duly executed in the same manner that a Bid must be executed and delivered to the place where Bids are to be submitted prior to the date and time for the opening of Bids.

OPENING OF BIDS

Bids will be opened at the time and place indicated in the Advertisement or Invitation to Bid and, unless obviously non-responsive, read aloud publicly.

As a minimum, bid documents shall be reviewed/inspected for conformance with the following requirements in the order presented below.

Bid Signature – The bid and all accompanying documents so required shall be signed by the bidder or its authorized representative before submission;

Addenda – All addenda shall be sent by email to all individuals and organizations which have received plans and specifications and shall be emailed not later than five days prior to the date established for submission of bids. All bidders shall include with their bids written acknowledgement of receipt of all addenda, which acknowledgement may be on a form provided therefore by the Owner.

EVALUATION OF BIDS AND AWARD OF CONTRACT

Owner reserves the right to reject any or all Bids, including without limitation, nonconforming bids, nonresponsive bids, or bids which contain abnormally high or abnormally low prices for any item of work, or conditional Bids. Owner further reserves the right to reject the Bid of any Bidder whom it finds, after reasonable inquiry and evaluation, to not be a responsive and eligible Bidder. Owner also reserves the right to waive any informality at the sole discretion of the Town of Provincetown.

More than one Bid for the same Work from an individual or entity under the same or different names will not be considered. Reasonable grounds for believing that any Bidder has an interest in more than one Bid for the Work may be cause for disqualification of that Bidder and the rejection of all Bids in which that Bidder has an interest.

In evaluating Bids, Owner will consider whether or not the Bids comply with the prescribed requirements, and such alternates, unit prices and other data, as may be requested in the Bid Form or prior to the Notice of Award.

In evaluating Bidders, Owner will consider the qualifications of Bidders and may consider the qualifications and experience of Subcontractors, Suppliers, and other individuals or entities proposed for those portions of the Work for which the identity of Subcontractors, Suppliers, and other individuals or entities must be submitted as provided in the General Conditions.

Owner may conduct such investigations as Owner deems necessary to establish the responsibility, qualifications, and financial ability of the General Contractor in accordance with the Contract Documents.

CONTRACT SECURITY AND INSURANCE

Since the anticipated amount of this project is under \$25,000., performance and payment bonds are not required.

Insurance requirements are listed in the General Conditions.

SIGNING OF AGREEMENT

When Owner issues a Notice of Award to the Successful Bidder, it shall be accompanied by the required number of unsigned counterparts of the Agreement along with the other Contract Documents which are identified in the Agreement as attached thereto. Within 10 days thereafter, Successful Bidder shall sign and deliver the required number of counterparts of the Agreement and attached documents to Owner. Within ten days thereafter, Owner shall deliver one fully signed counterpart to Successful Bidder with a complete set of the Drawings with appropriate identification.

SALES AND USE TAXES

Owner is exempt from Massachusetts state sales and use taxes on materials and equipment to be incorporated in the Work. Said taxes shall not be included in the Bid. Refer to Paragraph 6.10 of the General Conditions for additional information.

FUNDING REQUIREMENTS

Minimum Wage Rates as determined by the Commissioner of Department of Workforce Development under the provision of the Massachusetts General Laws, Chapter 149, Sections 26 to 27D, as amended, apply to this project.

This project is subject to the Safety and Health Regulations of the U.S. Department of Labor set forth in Title 29 CFR, Part 1926 and to all subsequent amendments, and to the Massachusetts Department of Labor and Industries, Division of Industrial Safety 'Rules and Regulations for the Prevention of Accidents in Construction Operations' (Chapter 454 CMR 10.00 et seq.). Contractors shall be familiar with the requirements of these regulations.

BID OPENING PROCEDURES

CONTRACTORS CHECKLIST

CONTRACT: BRADFORD STREET SIDEWALK IMPROVEMENTS PROJECT

BIDDER: _____

DATE: _____

All non-responsive bids shall be rejected forthwith by the awarding authority upon determination of such bids' non-responsiveness at the time bids are opened and read. Failure to comply with one or more of the following requirements shall render the bid non-responsive, and upon determination of such non-responsiveness such bid shall be rejected and receive no further consideration.

ITEMS	REQUIREMENTS	COMPLIANCE (CIRCLE 1)		REASONS FOR REJECTION
		Yes	No; Rejected	
Timeliness	Bids filed within time specified	Yes	No; Rejected	
Bid Completeness	Appropriate and properly Executed bid with supporting documents	Yes	No; Rejected	
Signature	Bid signed by authorized Representative	Yes	No; Rejected	
Addenda	Any required Addenda acknowledged	Yes	No; Rejected	
Dollar Amount	Dollar amount in words	Yes	No; Rejected	

FORM FOR CONTRACTOR'S BID
FOR
BRADFORD STREET SIDEWALK IMPROVEMENTS PROJECT
PROVINCETOWN, MASSACHUSETTS

To:

Office of the Town Manager
Provincetown Town Hall
260 Commercial Street
Provincetown, MA 02657

The Undersigned proposes to furnish all labor and materials required for Bradford Street Sidewalk Improvements Project in Town of Provincetown, Massachusetts, in accordance with the accompanying plans and specifications for the contract price specified below, subject to additions and deductions according to the terms of the specifications.

- A. This bid includes addenda numbered _____ to _____
- B. The proposed contract price is _____ dollars (\$ _____).
- C. The Bidder acknowledges the following:
1. The undersigned agrees that, if he is selected as general contractor, he will within ten days, Saturdays, Sundays and legal holidays excluded, after presentation thereof by the awarding authority, execute a contract in accordance with the terms of this bid and furnish a performance bond and also a labor and materials or payment bond, each of a surety company qualified to do business under the laws of the commonwealth and satisfactory to the awarding authority and each in the sum of the contract price, the premiums for which are to be paid by the general contractor and are included in the contract price; provided, however, that if there is more than 1 surety company, the surety companies shall be jointly and severally liable.
 2. The undersigned hereby certifies that he is able to furnish labor that can work in harmony with all other elements of labor employed or to be employed on the work; that all employees to be employed at the worksite will have successfully completed a course in construction safety and health approved by the United States Occupational Safety and Health

Administration that is at least 10 hours in duration at the time the employee begins work and who shall furnish documentation of successful completion of said course with the first certified payroll report for each employee; and that he will comply fully with all laws and regulations applicable to awards made subject to applicable Massachusetts Law.

3. The undersigned further certifies under the penalties of perjury that this bid is in all respects bona fide, fair and made without collusion or fraud with any other person. As used in this subsection the word "person" shall mean any natural person, joint venture, partnership, corporation or other business or legal entity. The undersigned further certifies under penalty of perjury that the said undersigned is not presently debarred from doing public construction work in the commonwealth under the provisions of section twenty-nine F of chapter twenty-nine, or any other applicable debarment provisions of any other chapter of the General Laws or any rule or regulation promulgated thereunder.

D. Bidder Acknowledgements

1. Bidder accepts all of the terms and conditions of the Instructions to Bidders, including without limitation those dealing with the disposition of Bid security. The time period for holding bids, where Federal approval is not required, is 90 days, Saturdays, Sundays and legal holidays excluded, after the opening of bids and where Federal approval is required, the time period for holding bids is 90 days, Saturdays, Sundays and holidays excluded after Federal approval.

2. Bidders must fully comply with Subpart C of 2 CFR Part 180 and 2 CFR Part 1532, entitled Responsibilities of Participants Regarding Transactions (Doing Business with Other Persons).

3. Bidder agrees that the Work will be substantially completed and ready for final payment in accordance with the General Conditions on or before the dates or within the number of calendar days indicated in the Agreement.

4. Bidder accepts the provisions of the Agreement as to liquidated damages.

Total Bid Price: \$ _____

TOTAL BID PRICE (in words): _____

Unit Price for additional sidewalk (price/square foot): _____

UNIT PRICE FOR ADDITIONAL SIDEWALK (in words): _____

Unit Price for additional curb (price/linear foot): _____

UNIT PRICE FOR ADDITIONAL CURB (in words): _____

Unit Price for additional line painting (price/linear foot): _____

UNIT PRICE FOR ADDITIONAL LINE PAINTING (in words): _____

E. Attachments to this Bid

The following documents are submitted with and made a condition of this Bid:

1. Bid Form.
2. Certificate of Compliance and Certificate of Non-Collusion.
3. Certification Occupational Safety and Health Administration (OSHA) Training.
4. Bidder's Qualification Statement.

Date _____

(Name of General Bidder)

By _____
(Written Name of Person Signing Bid and Title)

(Signature)

(Business Address)

(City and State)

**CERTIFICATE OF COMPLIANCE
M.G.L. Chapter 62C, Section 49A**

Pursuant to Section 49A of Chapter 62C of the General Laws of Massachusetts, I hereby certify that I have complied with all Laws of the Commonwealth of Massachusetts relating to taxes.

This statement is made under the pains and penalties of perjury this _____ day of _____, 2018.

Printed Name of Individual or Corporation: _____

Name and Title of Corporate Officer (is applicable): _____

Signature of Individual or Corporate Officer: _____

Social Security or Federal Identification Number: _____

CERTIFICATION OF NON-COLLUSION

The undersigned certifies under the penalties of perjury that this bid or proposal has been made and submitted in good faith and without collusion or fraud with any other persons. As used in this certification, the word "person" shall mean any natural person, business, partnership, corporation, union, committee, club or other organization, entity, or group of individuals.

Signed: _____

Name: _____

Name of Business: _____

Address: _____

Phone: _____

Fax: _____

**CERTIFICATION
OCCUPATIONAL SAFETY AND HEALTH ADMINISTRATION (OSHA) TRAINING**

In accordance with Massachusetts General Law 30: Section 39S, for all contracts for the construction, reconstruction, installation, demolition, maintenance or repair of any public work estimated to cost more than \$10,000, the Contractor hereby certifies to the following:

(a) (1) that he is able to furnish labor that can work in harmony with all other elements of labor employed or to be employed in the work; (2) that all employees to be employed at the worksite will have successfully completed a course in construction safety and health approved by the United States Occupational Safety and Health Administration that is at least 10 hours in duration at the time the employee begins work and who shall furnish documentation of successful completion of said course with the first certified payroll report for each employee; and (3) that all employees to be employed in the work subject to this bid have successfully completed a course in construction safety and health approved by the United States Occupational Safety and Health Administration that is at least 10 hours in duration.

(b) Any employee found on a worksite subject to this section without documentation of successful completion of a course in construction safety and health approved by the United States Occupational Safety and Health Administration that is at least 10 hours in duration shall be subject to immediate removal.

(c) The attorney general, or his designee, shall have the power to enforce this section including the power to institute and prosecute proceedings in the superior court to restrain the award of contracts and the performance of contracts in all cases where, after investigation of the facts, he has made a finding that the award or performance has resulted in violation, directly or indirectly, of subsection (b), and he shall not be required to pay to the clerk of the court an entry fee in connection with the institution of the proceeding.

The undersigned hereby certifies under the penalties of perjury to the above:

Company: _____

Authorized Signature: _____

Print Name: _____

Title: _____

Date: _____

Telephone: _____ Fax: _____

BIDDER’S QUALIFICATION STATEMENT

To induce the making of this Contract, the Bidder represents to the Owner the following, as evidence of Bidder’s Qualifications to perform the work herein specified. A minimum of seven (7) infrastructure improvements projects of character similar shall have been completed in good standing within the last five (5) years by the Bidder; of which three (3) shall be infrastructure projects, (3) shall be roadway reconstruction projects and one (1) shall have a porous asphalt component.

1. How many years has your organization been in business under the name in which you propose to execute this Contract?
 ___Years

2. What seven (7) projects of character similar (as listed above) to that proposed has your present organization completed? Give the information indicated by the following tabulations:

NAME, ADDRESS, AND PHONE NO. OF OWNER FOR WHOM WORK WAS DONE	REFERENCE PERSON’S NAME, PHONE NUMBER, AND EMAIL	DESCRIPTION OF WORK	APPROXIMATE AMOUNT OF CONTRACT	APPROXIMATE DATE WORK WAS DONE

BIDDER'S QUALIFICATION STATEMENT, CONT'D

3. Has your present organization ever been or are late or assessed liquidated damages or ever failed to complete any work awarded to it? If so, state when, where and why.

4. Do you have, or can you procure the necessary personnel, equipment, facilities and financial resources to immediately undertake and satisfactorily complete the work contemplated in this Contract?

5. The Owner reserves the right to investigate and/or request more information from the Bidder concerning the Bidder's history of payments to Subcontractor's and the Bidder's history of litigation.

AGREEMENT

THIS AGREEMENT is by and between the Town of Provincetown, MA ("Owner") and
_____ ("Contractor").

Owner and Contractor, hereby agree as follows:

WORK

Contractor shall complete all Work as specified or indicated in these Contract Documents including Addenda.

THE PROJECT

The Project for which the Work under the Contract Documents may be the whole or only a part is generally described as follows:
Bradford Street Sidewalk Improvements Project

ENGINEER

The Town Engineer will act as Engineer for this project.

CONTRACT TIMES

Time of the Essence

All time limits for Milestones, if any, Substantial Completion, and completion and readiness for final payment as stated in the Contract Documents are of the essence of the Contract.

Days to Achieve Substantial Completion and Final Payment

The Work shall be substantially completed and at final completion in accordance with the dates listed in the General Conditions.

Liquidated Damages

Contractor and Owner recognize that time is of the essence and that Owner will suffer financial loss if the Work is not completed within the times specified, plus any extensions thereof allowed. The parties also recognize the delays, expense, and difficulties involved in proving in a legal proceeding the actual loss suffered by Owner if the Work is not completed on time. Accordingly, instead of requiring any such proof, Owner and Contractor agree that as liquidated damages for delay (but not as a penalty), Contractor shall pay Owner \$500 for each day that expires after the time specified in Paragraph 4.02 for Substantial Completion until the Work is substantially complete. After Substantial Completion, if Contractor shall neglect, refuse, or fail to complete the remaining Work within the Contract Time or any proper extension thereof granted by Owner, Contractor shall pay Owner \$500 for each day that expires after the time specified in Paragraph 4.02 above for completion and readiness for final payment until the Work is completed and ready for final payment.

CONTRACT PRICE

Owner shall pay Contractor for completion of the Work in accordance with the Contract Documents, the Bid Form, and the Notice of Award an amount in current funds pursuant to the following:

A Total Contract Amount of \$_____.

PAYMENT PROCEDURES

Submittal and Processing of Payments

Contractor shall submit Applications for Payment in accordance with the General Conditions. Applications for Payment will be processed by Engineer as provided in the General Conditions.

Progress Payments; Retainage

Progress Payments and Retainage shall be per M.G.L. Chapter 30, Section 39G.

Contractor shall provide a claim and lien release with each progress payment.

INTEREST

All moneys not paid when due as provided in Article 14 of the General Conditions shall bear interest at the rate prescribed in M.G.L. c.30 s39K.

CONTRACTOR'S REPRESENTATIONS

In order to induce Owner to enter into this Agreement, Contractor makes the following representations:

Contractor has examined and carefully studied the Contract Documents and the other related data identified in the Bidding Documents.

Contractor has visited the Site and become familiar with and is satisfied as to the general, local, and Site conditions that may affect cost, progress, and performance of the Work.

Contractor is familiar with and is satisfied as to all state, local, and federal laws, regulations, ordinances, and codes that may affect cost, progress, and performance of the Work.

Contractor has carefully studied all: (1) reports of explorations and tests of subsurface conditions at or contiguous to the Site and all drawings of physical conditions relating to existing surface or subsurface structures at the Site (except Underground Facilities) , if any, that have been identified in Paragraph 4.02 of the General Conditions as containing reliable "technical data."

Contractor has considered the information known to Contractor; information commonly known to contractors doing business in the locality of the Site; information and observations obtained from visits to the Site; the Contract Documents; and the Site-related reports and drawings identified in the Contract Documents, with respect to the effect of such information, observations, and documents on (1) the cost, progress, or performance of the Work; (2) the means, methods, techniques, sequences, and procedures of construction to be employed by Contractor, including any specific means, methods, techniques, sequences, and procedures of construction expressly required by the Contract Documents; (3) Contractor's safety precautions and programs.

Based on the information and observations referred to in the previous paragraph , Contractor does not consider that any further examinations, investigations, explorations, tests, studies, or data are necessary for the performance of the Work at the Contract Price, within the Contract Times, and in accordance with the other terms and conditions of the Contract Documents.

Contractor is aware of the general nature of work to be performed by others at the Site that relates to the Work as indicated in the Contract Documents.

Contractor has given Engineer written notice of all conflicts, errors, ambiguities, or discrepancies that Contractor has discovered in the Contract Documents, and the written resolution thereof by Engineer is acceptable to Contractor.

The Contract Documents are generally sufficient to indicate and convey understanding of all terms and conditions for performance and furnishing of the Work.

The Contractor agrees that it will fully comply with Subpart C of 2 CFR Part 180 and 2 CFR Part 1532, entitled Responsibilities of Participants Regarding Transactions (Doing Business with Other Persons). The Contractor shall not award any subcontracts or purchase any materials from suppliers that appear on the Excluded Parties List System. The Contractor shall include this requirement in each subcontract and require it to be included in all subcontracts regardless of tier. The Contractor shall maintain reasonable records to demonstrate compliance with these requirements.

Equal Employment Opportunity/Affirmative Action (EEO/AA) Requirements – During the performance of this contract, the contractor agrees as follows:

The contractor will not discriminate against any employee or applicant for employment because of race, color, religion, sex, or national origin. The contractor will take affirmative action to ensure that applicants are employed, and that employees are treated during employment, without regard to their race, color, religion, sex or national origin. Such action shall include, but not be limited to the following: employment, upgrading, demotion, or transfer; recruitment or recruitment advertising; layoff or termination; rates of pay or other forms of compensation; and selection for training, including apprenticeship. The contractor agrees to post in conspicuous places, available to employees and applicants for employment, notices to be provided by the contracting officer setting forth the provisions of this nondiscrimination clause.

The contractor will, in all solicitations or advancements for employees placed by or on behalf of the contractor, state that all qualified applicants will receive consideration for employment without regard to race, color, religion, sex or national origin.

The contractor will send to each labor union or representative of workers with which he has a collective bargaining agreement or other contract or understanding, a notice, to be provided by the agency contracting officer, advising the labor union or workers' representative of the contractor's commitments under Section 202 of Executive Order No. 11246 of September 24, 1965, and shall post copies of the notice in conspicuous places available to employees and applicants for employment.

The contractor will comply with all provisions of Executive Order No. 11246 of Sept. 24, 1965, and of the rules, regulations, and relevant orders of the Secretary of Labor.

The contractor will furnish all information and reports required by Executive Order No. 11246 of September 24, 1965, and by the rules, regulations, and orders of the Secretary of Labor, or pursuant thereto, and will permit access to his books, records, and accounts by the contracting agency and the Secretary of Labor for purposes of investigation to ascertain compliance with such rules, regulations, and orders. Comp., p. 684, EO 12086 of Oct. 5, 1978, 43 FR 46501, 3 CFR, 1978 Comp., p. 230.

In the event of the contractor's noncompliance with the nondiscrimination clauses of this contract or with any of such rules, regulations, or orders, this contract may be cancelled, terminated, or suspended in whole or in part and the contractor may be declared ineligible for further Government contracts in accordance with procedures authorized in Executive Order No. 11246 of Sept. 24, 1965, and such other sanctions may be imposed and remedies invoked as provided in Executive Order No. 11246 of September 24, 1965, or by rule, regulation, or order of the Secretary of Labor, or as otherwise provided by law.

The contractor will include the provisions of paragraphs (A) through (G) in every subcontract or purchase order unless exempted by rules, regulations, or orders of the Secretary of Labor issued pursuant to Section 204 of Executive Order No. 11246 of September 24, 1965, so that such provisions will be binding upon each subcontractor or vendor. The contractor will take such action with respect to any subcontract or purchase order as may be directed by the Secretary of Labor as a means of enforcing such provisions including sanctions for noncompliance: Provided, however, that in the event the contractor becomes involved in, or is threatened with, litigation with a subcontractor or vendor as a result of such direction, the contractor may request the United States to enter into such litigation to protect the interests of

the United States." [Sec. 202 amended by EO 11375 of Oct. 13, 1967, 32 FR 14303, 3 CFR, 1966-1970]

The contractor shall not participate in or cooperate with an international boycott, as defined in Section 999 (b)(3) and (4) of the Internal Revenue code 1986, as amended, or engage in conduct declared to be unlawful by Section 2 of Chapter 151E of the Massachusetts General Laws.

The contractor shall use diligent efforts to ensure that any contractors it employs or are employed on its behalf do not unlawfully misclassify workers as self-employed or as independent contractors, and will certify compliance with applicable state and federal employment laws and regulations, including but not limited to minimum wages, unemployment insurance, workers' compensation, child labor, and the Massachusetts Health Care Reform Law, Chapter 58 of the Acts of 2006, as amended.

The contractor shall use diligent efforts to ensure that within the past five years, no officers, directors, employees, agents, or subcontractors of which the contractor has knowledge, been the subject of (a) an indictment, judgment, conviction, or grant of immunity, including pending actions, for any business-related conduct constituting a crime under state or federal law; or (b) a government suspension or debarment, rejection of any bid or disapproval of any proposed contract subcontract, including pending actions, for lack of responsibility, denial or revocation of prequalification or a voluntary exclusion agreement; or any governmental determination of a violation of any public works law or regulation, or labor law or regulation or any OSHA violation deemed "serious or willful."

In accordance with Executive Order 481 and under the pains and penalties of perjury, Contractors shall ensure that they do not knowingly allow the use of undocumented workers in connection with the performance of the contract; that pursuant to federal requirements, the Contractor shall verify the immigration status of all workers assigned to the contract without engaging in unlawful discrimination; and that the it shall not knowingly or recklessly alter, falsify, or accept altered or falsified documents from any such worker(s).

CONTRACT DOCUMENTS

Contents

The Contract Documents consist of the following:

This Agreement (pages 1 to 7, inclusive).

General Conditions.

Drawings "Bradford Street Sidewalk Improvements – Construction Plan 01" & "Bradford Street Sidewalk Improvements – General Notes And Details – 02".

Addenda (Nos. ____ to _____, inclusive).

Exhibits to this Agreement (enumerated as follows):

Bid Form.

Documentation submitted by Contractor prior to Notice of Award (pages ____ to ____, inclusive).

Certificates of Insurance.

The following which may be delivered or issued on or after the Effective Date of the Agreement and are not attached hereto:

Amendments and supplements to the Contract Documents.

There are no Contract Documents other than those listed herein.

The Contract Documents may only be amended, modified, or supplemented as provided in the General Conditions.

MISCELLANEOUS

Terms

Terms used in this Agreement have the meanings stated in the General Conditions [unless specifically identified otherwise herein].

Assignment of Contract

No assignment by a party hereto of any rights under or interests in the Contract will be binding on another party hereto without the written consent of the party sought to be bound; and, specifically but without limitation, moneys that may become due and moneys that are due may not be assigned without such consent (except to the extent that the effect of this restriction may be limited by law), and unless specifically stated to the contrary in any written consent to an assignment, no assignment will release or discharge the assignor from any duty or responsibility under the Contract Documents.

Successors and Assigns

Owner and Contractor each binds itself, its partners, successors, assigns, and legal representatives to the other party hereto, its partners, successors, assigns, and legal representatives in respect to all covenants, agreements, and obligations contained in the Contract Documents.

Severability

Any provision or part of the Contract Documents held to be void or unenforceable under any Law or Regulation shall be deemed stricken, and all remaining provisions shall continue to be valid and binding upon Owner and Contractor, who agree that the Contract Documents shall be reformed to replace such stricken provision or part thereof with a valid and enforceable provision that comes as close as possible to expressing the intention of the stricken provision.

(continued)

IN WITNESS WHEREOF, Owner and Contractor have signed this Agreement. Counterparts have been delivered to Owner and Contractor. All portions of the Contract Documents have been signed or have been identified by Owner and Contractor or on their behalf.

This Agreement will be effective on _____, 20____, (which is the Effective Date of the Agreement).

Owner _____ Contractor _____

By _____ By _____

Signature Signature

Title: _____ Title: _____

(If Contractor is a corporation, a partnership, or a joint venture, attach evidence of authority to sign.)

Attest _____ Attest _____

Title _____ Title _____

Address for giving notices: Address for giving notices:

License No. _____
(where applicable)

Pursuant to M.G.L. c.44, s31C, I certify that an appropriation has been made in the total amount of the contract.

Finance Director
Date

Board of Selectmen:

AFFIDAVIT

State of _____

}
}
}
}

ss. _____, _____

County of _____

(Bid Opening Date)

The undersigned being duly sworn, deposes and says that he or she is the sole owner, partner, president, treasurer, or other duly authorized agent or office of:

(Name of bidder as appearing in submitted proposal)

for work in _____ on _____
(City/Town) (Road)

and certifies that to his or her own knowledge, said bidder has not either directly or indirectly, entered into any agreement, participated in any collusion, or otherwise taken into any action in restraint of free competitive bidding in connection with this contract.

Signature and Title of Person Making Affidavit

On this the _____ day of _____, _____, before me,
Day Month Year

_____, the undersigned Notary Public personally appeared
Name of Notary Public

_____, proved to me through satisfactory evidence of identity, which was/were
Name of Signer

_____ to be the person(s) whose name(s) is/are signed on the preceding
Description of Evidence of Identity

or attached document, in my presence, and who swore and affirmed to me that the contents of the document are truthful and accurate to the best of his/her/their knowledge and belief

as partner(s) for _____, a partnership.
Name of Partnership

as _____ for _____, a corporation.
Title of Office Name of Corporation

as attorney in fact for _____, the principal.
Name of Principal Signer

as _____ for _____, a/the _____.
Type of Capacity Name of Person/Entity Type of Entity

Signature of Notary Public

Place Notary Seal and/or Any Stamp Above

Printed Name of Notary

My Commission Expires: _____

END OF SECTION

**GENERAL CONDITIONS
OF THE
CONSTRUCTION CONTRACT**

PRELIMINARY MATTERS

Evidence of Insurance

Evidence of Insurance: Before any Work at the Site is started, Contractor shall deliver copies of certificates of insurance which Contractor is required to purchase and maintain.

Commencement of Contract Times; Notice to Proceed

The Contract Times will commence on the day indicated in a Notice to Proceed or Notice of Contract Award.

Time is of the essence for this Agreement.

Starting the Work

Contractor shall start to perform the Work on the date when the Contract Times commence to run. No Work shall be done at the Site prior to the date on which the Contract Times commence to run.

Before Starting Construction

Contractor shall submit a preliminary Progress Schedule for starting and completing the Work.

Preconstruction Conference; Designation of Authorized Representatives

Before any Work at the Site is started, a pre-construction conference attended by Owner, Contractor, Engineer, and others as appropriate will be held.

At this conference Owner and Contractor each shall designate a specific individual to act as its authorized representative with respect to the services and responsibilities under the Contract.

Engineer

The Town Engineer will act as the Engineer for this project.

CONTRACT DOCUMENTS: INTENT, AMENDING, REUSE

Intent

It is the intent of the Contract Documents to describe a functionally complete project (or part thereof) to be constructed in accordance with the Contract Documents.

Clarifications and interpretations of the Contract Documents shall be issued by Engineer.

Scope of Work

The work to be performed includes the two (2) attached project drawings, and the application of a permanent fog line along the entire work area. Paint type to be approved by engineer.

Reference Standards

Standards, Specifications, Codes, Laws, and Regulations

Reference to standards, specifications, manuals, or codes of any technical society, organization, or association, or to Laws or Regulations, whether such reference be specific or by implication, shall mean the standard, specification, manual, code, or Laws or Regulations in effect at the time of opening of Bids (or on the Effective

Date of the Agreement if there were no Bids), except as may be otherwise specifically stated in the Contract Documents.

No provision of any such standard, specification, manual, or code, or any instruction of a Supplier, shall be effective to change the duties or responsibilities of Owner, Contractor, or Engineer, or any of their subcontractors, consultants, agents, or employees, from those set forth in the Contract Documents. No such provision or instruction shall be effective to assign to Owner, Engineer, or any of their officers, directors, members, partners, employees, agents, consultants, or subcontractors, any duty or authority to supervise or direct the performance of the Work or any duty or authority to undertake responsibility inconsistent with the provisions of the Contract Documents.

Reporting and Resolving Discrepancies

Reporting Discrepancies:

Contractor's Review of Contract Documents: Contractor shall report in writing to Engineer any conflict, error, or discrepancy, and shall obtain a written clarification from Engineer before proceeding with any Work affected thereby.

Contractor shall be liable to Owner or Engineer for failure to report any known conflict, error, ambiguity, or discrepancy in the Contract Documents and shall not be entitled to any additional costs or damages to fully implement the intent of the Contract Documents for this project.

Resolving Discrepancies:

Except as may be otherwise specifically stated in the Contract Documents, the provisions of the Contract Documents shall take precedence in resolving any conflict, error, ambiguity, or discrepancy between the provisions of the Contract Documents and:

the provisions of any standard, specification, manual, or code, or the instruction of any Supplier (whether or not specifically incorporated by reference in the Contract Documents); or

the provisions of any Laws or Regulations applicable to the performance of the Work (unless such an interpretation of the provisions of the Contract Documents would result in violation of such Law or Regulation).

Amending and Supplementing Contract Documents

The Contract Documents may be amended to provide for additions, deletions, and revisions in the Work or to modify the terms and conditions thereof by either a Change Order or a Work Change Directive.

AVAILABILITY OF LANDS; SUBSURFACE AND PHYSICAL CONDITIONS; HAZARDOUS ENVIRONMENTAL CONDITIONS; REFERENCE POINTS

Hazardous Environmental Condition at Site

Reports and Drawings: These General Conditions identify those reports and drawings known to Owner relating to Hazardous Environmental Conditions that have been identified at the Site, as follows:

None.

Contractor shall not be responsible for any Hazardous Environmental Conditions uncovered or revealed at the Site which was not shown or indicated in Drawings or Specifications or identified in the Contract Documents. Contractor shall be responsible for a Hazardous Environmental Conditions created with any materials brought to the Site by Contractor, Subcontractors, Suppliers, or anyone else for whom Contractor is responsible.

If Contractor encounters a Hazardous Environmental Conditions or if Contractor or anyone for whom Contractor is responsible creates a Hazardous Environmental Conditions, Contractor shall follow the notification requirements of Massachusetts Contingency Plan (MCP) 40.0300. In addition, Contractor shall immediately: (i) secure or otherwise isolate such condition; (ii) stop all Work in connection with such condition and in any area affected thereby (except in an emergency as required by Paragraph 6.16.A); and (iii) notify Owner, Engineer, DEP, and appropriate authorities with jurisdiction over the site (and promptly thereafter confirm such notice in writing). Owner shall promptly consult with Engineer concerning the necessity for Owner to retain a qualified expert to evaluate such condition or take corrective action, if any. Promptly after consulting with Engineer, Owner shall take such actions as are necessary to permit Owner to timely obtain required permits and provide Contractor the written notice required by Paragraph 4.06.E.

Contractor shall not be required to resume Work in connection with such condition or in any affected area until after Owner has obtained any required permits related thereto and delivered written notice to Contractor: (i) specifying that such condition and any affected area is or has been rendered safe for the resumption of Work; or (ii) specifying any special conditions under which such Work may be resumed safely. Contractor's sole remedy for encountering a Hazardous Environmental Condition which was not shown or indicated in Drawings or Specifications is the costs for remedial work and/or a time extension pursuant to the terms of the Contract Document. If Owner and Contractor cannot agree as to entitlement to or on the amount or extent, if any, of any adjustment in Contract Price or Contract Times, or both, as a result of encountering a Hazardous Environmental Conditions which was not shown or indicated in Drawings or Specifications, either party may make a Claim therefor as provided in Paragraph 10.05.

To the fullest extent permitted by Laws and Regulations, Contractor shall indemnify and hold harmless Owner and Engineer, and the officers, directors, members, partners, employees, agents, consultants, and subcontractors of each and any of them from and against all claims, costs, losses, and damages (including but not limited to all fees and charges of engineers, architects, attorneys, and other professionals and all court or other dispute resolution costs) arising out of or relating to a Hazardous Environmental Conditions created by Contractor or by anyone for whom Contractor is responsible

BONDS AND INSURANCE

Performance, Payment, and Other Bonds

Not required.

Licensed Sureties and Insurers

All insurance required by the Contract Documents to be purchased and maintained by Contractor shall be obtained from surety or insurance companies that are duly licensed or authorized in the jurisdiction in which the Project is located to issue insurance policies for the limits and coverages so required. Such surety and insurance companies shall also meet such additional requirements and qualifications as may be provided in these General Conditions.

Certificates of Insurance

Contractor shall deliver to Owner, with copies to each additional insured and loss payee identified in these General Conditions, certificates of insurance (and other evidence of insurance requested by Owner or any other additional insured) which Contractor is required to purchase and maintain.

Failure of Owner to demand such certificates or other evidence of Contractor's full compliance with these insurance requirements or failure of Owner to identify a deficiency in compliance from the evidence provided shall not be construed as a waiver of Contractor's obligation to maintain such insurance.

Owner does not represent that insurance coverage and limits established in this Contract necessarily will be adequate to protect Contractor.

The insurance and insurance limits required herein shall not be deemed as a limitation on Contractor's liability under the indemnities granted to Owner in the Contract Documents.

Contractor's Insurance

Contractor shall purchase and maintain such insurance as is appropriate for the Work being performed and as will provide protection from claims set forth below which may arise out of or result from Contractor's performance of the Work and Contractor's other obligations under the Contract Documents, whether it is to be performed by Contractor, any Subcontractor or Supplier, or by anyone directly or indirectly employed by any of them to perform any of the Work, or by anyone for whose acts any of them may be liable.

The policies of insurance shall:

be written on an occurrence basis, include as additional insureds (subject to any customary exclusion regarding professional liability) Owner and Engineer, and any other individuals or entities identified in these General Conditions, all of whom shall be listed as additional insureds, and include coverage for the respective officers, directors, members, partners, employees, agents, consultants, and subcontractors of each and any of all such additional insureds, and the insurance afforded to these additional insureds shall provide primary coverage for all claims covered thereby;

include at least the specific coverages and be written for not less than the limits of liability provided in these General Conditions or required by Laws or Regulations, whichever is greater;

include contractual liability insurance covering Contractor's indemnity;

contain a provision or endorsement that the coverage afforded will not be canceled, materially changed or renewal refused until at least 30 days prior written notice has been given to Owner and to each other additional insured identified in these General Conditions to whom a certificate of insurance has been issued (and the certificates of insurance furnished by the Contractor pursuant to Paragraph 5.03 will so provide). To the extent that an endorsement is not available to comply with this paragraph, this written notification requirement shall be the responsibility of the Contractor.

remain in effect at least until final payment and at all times thereafter when Contractor may be correcting, removing, or replacing defective Work; and

include completed operations coverage:

Such insurance shall remain in effect for two years after final payment.

Contractor shall furnish Owner and each other additional insured identified in the General Conditions, to whom a certificate of insurance has been issued, evidence satisfactory to Owner and any such additional insured of continuation of such insurance at final payment and one year thereafter.

The limits of liability for the insurance shall provide coverage for not less than the following amounts or greater where required by Laws and Regulations:

Workers' Compensation, and related coverages:

- | | | |
|----|--|--|
| a. | State: | Statutory |
| b. | Applicable Federal (e.g., Longshoreman's): | Statutory |
| c. | Employer's Liability: | \$100,000 Bodily Injury by Accident
\$500,000 Bodily Injury by Disease – policy limit
\$100,000 Bodily Injury by Disease – each
\$1,000,000 Umbrella Liability – all limits |

Commercial General Liability (including Premises-Operations; Independent Contractor's Protective; Products and Completed Operations; Broad Form Property Damage) under paragraphs 5.04.A.3 through A.6 of the General Conditions:

- a. Bodily Injury: \$1,000,000 Each Occurrence
\$2,000,000 Aggregate
- b. Products and Completed Operations: \$1,000,000 Each Occurrence (bodily injury and property damage)
\$2,000,000 Aggregate
- c. Products and Completed: \$1,000,000 Operations
- d. Property Damage Liability (including coverage for XCU hazards): \$1,000,000 Each Occurrence
\$2,000,000 Aggregate
- e. Products and Completed Operations insurance shall be maintained for a minimum period of 2 years after final payment and Contractor shall continue to provide evidence of such coverage to Owner on an annual basis during the aforementioned.
- f. Contractual Liability (Hold Harmless Coverage):
\$1,000,000 Bodily Injury Each Occurrence
\$1,000,000 Property Damage Each Occurrence
\$1,000,000 Property Damage Aggregate
- g. Personal Injury, with Employment Exclusion deleted:
\$1,000,000 All Limits

Comprehensive Automobile Liability (owned, non-owned, hired) under paragraph 5.04.A.6 of the General Conditions:

Bodily Injury:

\$1,000,000 Each Person
\$1,000,000 Each Accident

Property Insurance / Builder Risk: the full Contract sum

Umbrella Liability Coverage

\$5,000,000 All Limits

Owner, Engineer, and Engineer's Consultants identified prior to Notice of Award shall be listed as additional insureds:

Property Insurance

Contractor shall purchase and maintain property insurance upon the Work at the Site in the amount of the full replacement cost thereof. Contractor shall be responsible for any deductible or self-insured retention. This insurance shall:

1. include the interests of Owner, Contractor, Subcontractors, Engineer, and the officers, directors, partners, employees, agents and other consultants and subcontractors of any of them, each of whom is deemed to have an insurable interest and shall be listed as an insured or loss payee;
2. be written on a Builder's Risk "all-risk" policy form that shall at least include insurance for physical loss and damage to the Work, temporary buildings, falsework, and materials and equipment in transit and shall insure against at least the following perils or causes of loss: fire, lightning, extended coverage, theft, vandalism and malicious mischief, earthquake, collapse, debris removal, demolition occasioned by enforcement of Laws and Regulations, water damage and such other perils or causes of loss as may be specifically required by these General Conditions;
3. include expenses incurred in the repair or replacement of any insured property (including but not limited to fees and charges of engineers and architects);

4. cover materials and equipment stored at the Site or at another location that was agreed to in writing by Owner prior to being incorporated in the Work, provided that such materials and equipment have been included in an Application for Payment recommended by Engineer;
5. be maintained in effect until final payment is made unless otherwise agreed to in writing by Owner, Contractor, and Engineer with 30 days written notice to each other loss payee to whom a certificate of insurance has been issued; and

All the policies of insurance (and the certificates or other evidence thereof) required to be purchased and maintained will contain a provision or endorsement that the coverage afforded will not be canceled or materially changed or renewal refused until at least 30 days prior written notice has been given to Owner and to each other loss payee to whom a certificate of insurance has been issued.

Receipt and Application of Insurance Proceeds

Any insured loss under the policies of insurance required will be adjusted with Owner and made payable to Owner as fiduciary for the loss payees, as their interests may appear, subject to the requirements of any applicable mortgage clause. Owner shall deposit in a separate account any money so received and shall distribute it in accordance with such agreement as the parties in interest may reach. If no other special agreement is reached, the damaged Work shall be repaired or replaced, the moneys so received applied on account thereof, and the Work and the cost thereof covered by an appropriate Change Order.

Owner as fiduciary shall have power to adjust and settle any loss with the insurers unless one of the parties in interest shall object in writing within 15 days after the occurrence of loss to Owner's exercise of this power. If such objection be made, Owner as fiduciary shall make settlement with the insurers in accordance with such agreement as the parties in interest may reach. If no such agreement among the parties in interest is reached, Owner as fiduciary shall adjust and settle the loss with the insurers.

CONTRACTOR'S RESPONSIBILITIES

Police Detail

Contractor is responsible to schedule Police Details.

Owner will be responsible to pay for up to two police details per day. Payment will be made directly to the Police Department.

Contractor will be responsible to pay for additional details over and above two details per day. Contractor will make payment directly to Police Department.

- A. Contractor will be responsible to pay for any Police Detail failed cancellation notice charges, and will make payment directly to Police Department.

Supervision and Superintendence

Contractor shall supervise, inspect, and direct the Work competently and efficiently, devoting such attention thereto and applying such skills and expertise as may be necessary to perform the Work in accordance with the Contract Documents. Contractor shall be solely responsible for the means, methods, techniques, sequences, and procedures of construction.

At all times during the progress of the Work, Contractor shall assign a competent resident supervisor or project foremen who is fully dedicated to the project unless Contractor receives written waiver from a duly-authorized representative of the Owner at Owners sole discretion.

Labor; Working Hours

Contractor shall provide competent, suitably qualified personnel to survey and lay out the Work and perform construction as required by the Contract Documents. Contractor shall at all times maintain good discipline and order at the Site.

Except as otherwise required for the safety or protection of persons or the Work or property at the Site or adjacent thereto, and except as otherwise stated in the Contract Documents, all Work at the Site shall be performed during regular working hours. Contractor will not permit the performance of Work on a Saturday, Sunday, or any legal holiday without Owner's written consent given after prior written notice to Engineer.

Within the calendar constraints identified, normal working hours are defined as 7:30 a.m. to 5:00 p.m., Monday through Friday, excluding Holidays. Owner's permission is required should Contractor work outside of normal working hours. The following are considered Holidays during which work at the Site is not allowed:

- New Year's Day
- Martin Luther King's Birthday
- Washington's Birthday / President's Day
- Memorial Day
- Independence Day
- Patriot's Day
- Labor Day
- Columbus Day
- Veteran's Day
- Thanksgiving
- Day after Thanksgiving
- Christmas

Services, Materials, and Equipment

Unless otherwise expressly provided for in the Contract Documents, Contractor shall provide and assume full responsibility for all services, materials, equipment, labor, transportation, construction equipment and machinery, tools, appliances, fuel, power, light, heat, telephone, water, sanitary facilities, temporary facilities, and all other facilities and incidentals necessary for the performance, testing, start-up, and completion of the Work.

All materials and equipment incorporated into the Work shall be as specified or, if not specified, shall be of good quality and new, except as otherwise provided in the Contract Documents. If required by Engineer, Contractor shall furnish satisfactory evidence as to the source, kind, and quality of materials and equipment.

All materials and equipment shall be stored, applied, installed, connected, erected, protected, used, cleaned, and conditioned in accordance with instructions of the applicable Supplier, except as otherwise may be provided in the Contract Documents.

"Or-Equal" Substitution

Whenever an item of material or equipment is specified or described in the Contract Documents by using the name of a proprietary item or the name of a particular Supplier, the specification or description is intended to establish the type, function, appearance, and quality required. Unless the specification or description contains or is followed by words reading that no like, equivalent, or "or-equal" item or no substitution is permitted, other items of material or equipment or material or equipment of other Suppliers may be submitted to Engineer for review per M.G.L. Chapter 30, Section 39M and under the circumstances described below.

"Or-Equal" Items: If in Engineer's sole discretion an item of material or equipment proposed by Contractor is functionally equal to that named and sufficiently similar so that no change in related Work will be required, it may be considered by Engineer as an "or-equal" item, in which case review and approval of the proposed item may, in Engineer's sole discretion, be accomplished without compliance with some or all of the requirements for approval of proposed "or equal" items.

Concerning Subcontractors, Suppliers, and Others

Contractor shall be fully responsible to Owner and Engineer for all acts and omissions of the Subcontractors, Suppliers, and other individuals or entities performing or furnishing any of the Work just as Contractor is responsible for Contractor's own acts and omissions. Nothing in the Contract Documents:

shall create for the benefit of any such Subcontractor, Supplier, or other individual or entity any contractual relationship between Owner or Engineer and any such Subcontractor, Supplier or other individual or entity; nor

shall create any obligation on the part of Owner or Engineer to pay or to see to the payment of any moneys due any such Subcontractor, Supplier, or other individual or entity except as may otherwise be required by Laws and Regulations.

Utilities

Contractor to comply with Dig Safe requirements.

Taxes

Contractor shall pay all sales, consumer, use, and other similar taxes required to be paid by Contractor in accordance with the Laws and Regulations of the place of the Project which are applicable during the performance of the Work.

Owner is exempt from payment of sales and compensating use taxes of the Commonwealth of Massachusetts and of cities and counties thereof on all materials to be incorporated into the Work.

Owner will furnish the required certificates of tax exemption to Contractor for use in the purchase of supplies and materials to be incorporated into the Work.

Owner's exemption does not apply to construction tools, machinery, equipment, or other property purchased by or leased by Contractor, or to supplies or materials not incorporated into the Work.

Use of Site and Other Areas

Limitation on Use of Site and Other Areas:

Contractor shall confine construction equipment, the storage of materials and equipment, and the operations of workers to the Site and other areas permitted by Laws and Regulations, and shall not unreasonably encumber the Site and other areas with construction equipment or other materials or equipment. Contractor shall assume full responsibility for any damage to any such land or area, or to the owner or occupant thereof, or of any adjacent land or areas resulting from the performance of the Work.

Should any claim be made by any such owner or occupant because of the performance of the Work, Contractor shall promptly settle with such other party by negotiation or otherwise resolve the claim dispute resolution proceeding or at law.

To the fullest extent permitted by Laws and Regulations, Contractor shall indemnify and hold harmless Owner and Engineer, and the officers, directors, members, partners, employees, agents, consultants and subcontractors of each and any of them from and against all claims, costs, losses, and damages (including but not limited to all fees and charges of engineers, architects, attorneys, and other professionals and all court or other dispute resolution costs) arising out of or relating to any claim or action, legal or equitable, brought by any such owner or occupant against Owner, Engineer, or any other party indemnified hereunder to the extent caused by or based upon Contractor's performance of the Work.

Removal of Debris During Performance of the Work: During the progress of the Work Contractor shall keep the Site and other areas free from accumulations of waste materials, rubbish, and other debris. Removal and disposal of such waste materials, rubbish, and other debris shall conform to applicable Laws and Regulations.

Cleaning: Prior to Substantial Completion of the Work Contractor shall clean the Site and the Work and make it ready for utilization by Owner. At the completion of the Work Contractor shall remove from the Site all tools, appliances, construction equipment and machinery, and surplus materials and shall restore to original condition all property not designated for alteration by the Contract Documents.

Loading Structures: Contractor shall not load nor permit any part of any structure to be loaded in any manner that will endanger the structure, nor shall Contractor subject any part of the Work or adjacent property to stresses or pressures that will endanger it.

Safety and Protection

Contractor shall be solely responsible for initiating, maintaining and supervising all safety precautions and programs in connection with the Work. Such responsibility does not relieve Subcontractors of their responsibility for the safety of persons or property in the performance of their work, nor for compliance with applicable safety Laws and Regulations. Contractor shall take all necessary precautions for the safety of, and shall provide the necessary protection to prevent damage, injury or loss to:

all persons on the Site or who may be affected by the Work;

all the Work and materials and equipment to be incorporated therein, whether in storage on or off the Site; and

other property at the Site or adjacent thereto, including trees, shrubs, lawns, walks, pavements, roadways, structures, utilities, and Underground Facilities not designated for removal, relocation, or replacement in the course of construction.

Contractor shall comply with all applicable Laws and Regulations relating to the safety of persons or property, or to the protection of persons or property from damage, injury, or loss; and shall erect and maintain all necessary safeguards for such safety and protection. Contractor shall notify owners of adjacent property and of Underground Facilities and other utility owners when prosecution of the Work may affect them, and shall cooperate with them in the protection, removal, relocation, and replacement of their property.

All damage, injury, or loss to any property caused, directly or indirectly, in whole or in part, by Contractor, any Subcontractor, Supplier, or any other individual or entity directly or indirectly employed by any of them to perform any of the Work, or anyone for whose acts any of them may be liable, shall be remedied by Contractor.

Contractor's duties and responsibilities for safety and for protection of the Work shall continue until such time as all the Work is completed.

Safety Representative

Contractor shall designate a qualified and experienced safety representative at the Site whose duties and responsibilities shall be the prevention of accidents and the maintaining and supervising of safety precautions and programs.

Emergencies

In emergencies affecting the safety or protection of persons or the Work or property at the Site or adjacent thereto, Contractor is obligated to act to prevent threatened damage, injury, or loss. Contractor shall give Engineer prompt written notice if Contractor believes that any significant changes in the Work or variations from the Contract Documents have been caused thereby or are required as a result thereof. If Engineer determines that a change in the Contract Documents is required because of the action taken by Contractor in response to such an emergency, a Work Change Directive or Change Order will be issued.

Contractor shall designate one person to respond to emergencies and act on the Contractor's behalf during off-work hours at the Site. The person's name, address, and telephone number shall be provided to Owner during the preconstruction conference and the designated person shall be on call during off-work hours. Response time shall not exceed one hour after notification is given by Owner and/or Engineer that an emergency exists at the Site

Contractor's General Warranty and Guarantee

Contractor warrants and guarantees to Owner that all Work will be in strict accordance with the Contract Documents and will not be defective. Engineer and its officers, directors, members, partners, employees, agents, consultants, and subcontractors shall be entitled to rely on representation of Contractor's warranty and guarantee.

Contractor's warranty and guarantee hereunder excludes defects or damage caused by:

abuse, modification, or improper maintenance or operation by persons other than Contractor, Subcontractors, Suppliers, or any other individual or entity for whom Contractor is responsible; or

normal wear and tear under normal usage.

Contractor's obligation to perform and complete the Work in accordance with the Contract Documents shall be absolute. None of the following (which is not an exhaustive list) will constitute an acceptance of Work that is not in accordance with the Contract Documents or a release of Contractor's obligation to perform the Work in accordance with the Contract Documents:

observations by Engineer;

recommendation by Engineer or payment by Owner of any progress or final payment;

the issuance of a certificate of Substantial Completion by Engineer or any payment related thereto by Owner;

use or occupancy of the Work or any part thereof by Owner;

any review and approval of a Shop Drawing or Sample submittal or the issuance of a notice of acceptability by Engineer;

any inspection, test, or approval by others; or

any correction of defective Work by Owner.

Indemnification

To the fullest extent permitted by Laws and Regulations, Contractor shall indemnify and hold harmless Owner and Engineer, and the officers, directors, members, partners, employees, agents, consultants and subcontractors of each and any of them from and against all claims, costs, losses, and damages (including but not limited to all fees and charges of engineers, architects, attorneys, and other professionals and all court or other dispute resolution costs) arising out of or relating to the performance of the Work, provided that any such claim, cost, loss, or damage is attributable to bodily injury, sickness, disease, or death, or to injury to or destruction of tangible property (other than the Work itself), including the loss of use resulting therefrom when caused in whole or in part by any act or omission of Contractor, any Subcontractor, any Supplier, or any individual or entity directly or indirectly employed by any of them to perform any of the Work or anyone for whose acts any of them may be liable .

In any and all claims against Owner or Engineer or any of their officers, directors, members, partners, employees, agents, consultants, or subcontractors by any employee (or the survivor or personal representative of such employee) of Contractor, any Subcontractor, any Supplier, or any individual or entity directly or indirectly employed by any of them to perform any of the Work, or anyone for whose acts any of them may be liable, the indemnification obligation under Paragraph 6.20.A shall not be limited in any way by any limitation on the amount or type of damages, compensation, or benefits payable by or for Contractor or any such Subcontractor, Supplier, or other individual or entity under workers' compensation acts, disability benefit acts, or other employee benefit acts.

CHANGES IN THE WORK; CLAIMS

Authorized Changes in the Work

Without invalidating the Contract and without notice to any surety, Owner may, at any time or from time to time, order additions, deletions, or revisions in the Work by a Change Order, or a Work Change Directive. Upon receipt of any such document, Contractor shall promptly proceed with the Work involved which will be performed under the applicable conditions of the Contract Documents (except as otherwise specifically provided).

If Owner and Contractor are unable to agree on entitlement to, or on the amount or extent, if any, of an adjustment in the Contract Price or Contract Times, or both, that should be allowed as a result of a Work Change Directive, a Claim may be made therefor as provided in Paragraph 10.05.

Unauthorized Changes in the Work

Contractor shall not be entitled to an increase in the Contract Price or an extension of the Contract Times with respect to any work performed that is not required by the Contract Documents as amended, modified, or supplemented as provided in Paragraph 3.04, except in the case of an emergency as provided in Paragraph 6.16 or in the case of uncovering Work as provided in Paragraph 13.04.D.

CHANGE OF CONTRACT PRICE; CHANGE OF CONTRACT TIMES

Change of Contract Price

The Contract Price may only be changed by a Change Order.

Change of Contract Times

The Contract Times may only be changed by a Change Order.

TESTS AND INSPECTIONS; CORRECTION, REMOVAL OR ACCEPTANCE OF DEFECTIVE WORK

Notice of Defects

Prompt notice of all defective Work of which Owner or Engineer has actual knowledge will be given to Contractor. Defective Work may be rejected, corrected, or accepted as provided in this Article 13.

Access to Work

Owner, Engineer, their consultants and other representatives and personnel of Owner will have access to the Site and the Work at reasonable times for their observation, inspection, and testing. Contractor shall provide them proper and safe conditions for such access and advise them of Contractor's safety procedures and programs so that they may comply therewith as applicable.

Tests and Inspections

Contractor shall give Engineer timely notice of readiness of the Work for all required inspections, tests, or approvals and shall cooperate with inspection and testing personnel to facilitate required inspections or tests.

If any Work (or the work of others) that is to be inspected, tested, or approved is covered by Contractor without written concurrence of Engineer, Contractor shall, if requested by Engineer, uncover such Work for observation.

Uncovering Work shall be at Contractor's expense unless Contractor has given Engineer timely notice of Contractor's intention to cover the same and Engineer has not acted with reasonable promptness in response to such notice.

Owner May Stop the Work

If the Work is defective, or Contractor fails to supply sufficient skilled workers or suitable materials or equipment, or fails to perform the Work in such a way that the completed Work will conform to the Contract Documents, Owner may order Contractor to stop the Work, or any portion thereof, until the cause for such order has been eliminated; however, this right of Owner to stop the Work shall not give rise to any duty on the part of Owner to exercise this right for the benefit of Contractor, any Subcontractor, any Supplier, any other individual or entity, or any surety for, or employee or agent of any of them.

Correction or Removal of Defective Work

Within seven days after receipt of written notice, Contractor shall correct all defective Work, whether or not fabricated, installed, or completed, or, if the Work has been rejected by Engineer, remove it from the Project and replace it with Work that is not defective. Contractor shall pay all claims, costs, losses, and damages (including but not limited to all fees and charges of engineers, architects, attorneys, and other professionals and all court or other dispute resolution costs) arising out of or relating to such correction or removal (including but not limited to all costs of repair or replacement of work of others).

When correcting defective Work under the terms of this Paragraph 13.06 or Paragraph 13.07, Contractor shall take no action that would void or otherwise impair Owner's special warranty and guarantee, if any, on said Work.

Correction Period

If within one year after the date of Substantial Completion (or such longer period of time as may be prescribed by the terms of any applicable special guarantee required by the Contract Documents) or by any specific provision of the Contract Documents or within such longer timeframe as Owner may be allowed by Massachusetts General Law, any Work is found to be defective or not in strict accordance with Contract Documents, or if the repair of any damages to the land or areas made available for Contractor's use by Owner or permitted by Laws and Regulations as contemplated in Paragraph 6.11.A is found to be defective, Contractor shall within seven days, without cost to Owner and in accordance with Owner's written instructions:

repair such defective land or areas; or

correct such defective Work; or

if the defective Work has been rejected by Owner, remove it from the Project and replace it with Work that is not defective, and

satisfactorily correct or repair or remove and replace any damage to other Work, to the work of others or other land or areas resulting therefrom.

If Contractor does not promptly comply with the terms of Owner's written instructions, or in an emergency where delay would cause serious risk of loss or damage, Owner may have the defective Work corrected or repaired or may have the rejected Work removed and replaced. All claims, costs, losses, and damages (including but not limited to all fees and charges of engineers, architects, attorneys, and other professionals and all court or other dispute resolution costs) arising out of or relating to such correction or repair or such removal and replacement (including but not limited to all costs of repair or replacement of work of others) will be paid by Contractor.

In special circumstances where a particular item of equipment is placed in continuous service before Substantial Completion of all the Work, the correction period for that item may start to run from an earlier date only if so provided in the Specifications.

Where defective Work (and damage to other Work resulting therefrom) has been corrected or removed and replaced under this Paragraph 13.07, the correction period hereunder with respect to such Work will be extended for an additional period of one year after such correction or removal and replacement has been satisfactorily completed.

Contractor's obligations under this Paragraph 13.07 are in addition to any other obligation or warranty. The provisions of this Paragraph 13.07 shall not be construed as a substitute for, or a waiver of, the provisions of any applicable statute of limitation or repose.

Acceptance of Defective Work

If, instead of requiring correction or removal and replacement of defective Work, Owner (and, prior to Engineer's recommendation of final payment, Engineer) prefers, in its sole discretion, to accept it, Owner may do so. Contractor shall pay all claims, costs, losses, and damages (including but not limited to all fees and charges of engineers, architects, attorneys, and other professionals and all court or other dispute resolution costs) attributable to Owner's evaluation of and determination to accept such defective Work (such costs to be approved by Engineer as to reasonableness) and for the diminished value of the Work to the extent not otherwise paid by Contractor pursuant to this sentence. If any such acceptance occurs prior to Engineer's recommendation of final payment, a Change Order will be issued incorporating the necessary revisions in the Contract Documents with respect to the Work, and Owner shall be entitled to an appropriate decrease in the Contract Price, reflecting the diminished value of Work so accepted. If the acceptance occurs after such recommendation, an appropriate amount will be paid by Contractor to Owner.

Owner May Correct Defective Work

If Contractor fails within 7 days' time after written notice from Engineer to correct defective Work, or to remove and replace rejected Work as required by Engineer in accordance with Paragraph 13.06.A, or if Contractor fails to perform the Work in accordance with the Contract Documents, or if Contractor fails to comply with any other provision of the Contract Documents, Owner may, after three days written notice to Contractor, correct, or remedy any such deficiency unless the Owner determines the work to be of an emergency nature whereby Owner may begin corrective work immediately.

In exercising the rights and remedies under this Paragraph 13.09, Owner shall proceed expeditiously. In connection with such corrective or remedial action, Owner may exclude Contractor from all or part of the Site, take possession of all or part of the Work and suspend Contractor's services related thereto, take possession of Contractor's tools, appliances, construction equipment and machinery at the Site, and incorporate in the Work all materials and equipment stored at the Site or for which Owner has paid Contractor but which are stored elsewhere. Contractor shall allow Owner, Owner's representatives, agents and employees, Owner's other contractors, and Engineer and Engineer's consultants access to the Site to enable Owner to exercise the rights and remedies under this Paragraph.

All claims, costs, losses, and damages (including but not limited to all fees and charges of engineers, architects, attorneys, and other professionals and all court or other dispute resolution costs) incurred or sustained by Owner in exercising the rights and remedies under this Paragraph 13.09 will be charged against Contractor, and a Change Order will be issued incorporating the necessary revisions in the Contract Documents with respect to the Work; and Owner shall be entitled to an appropriate decrease in the Contract Price. Such claims, costs, losses and damages will include but not be limited to all costs of repair, or replacement of work of others destroyed or damaged by correction, removal, or replacement of Contractor's defective Work.

Contractor shall not be allowed an extension of the Contract Times because of any delay in the performance of the Work attributable to the exercise by Owner of Owner's rights and remedies under this Paragraph 13.09.

Owner may terminate the Contract with the Contractor if Contractor fails to meet his obligations under Article 13.

ARTICLE 14 – PAYMENTS TO CONTRACTOR AND COMPLETION

Schedule of Values

The Schedule of Values established will serve as the basis for progress. Progress payments on account of Unit Price Work will be based on the number of units completed.

Progress Payment

Applications for Payments:

It is anticipated that one payment request for the full contract amount will be submitted by the contractor.

If a progress payment is submitted, it will be based on work completed, less retainage.

Payments to Subcontractors:

Pursuant to Section 39F of Chapter 30 of the Massachusetts General Laws, the provisions shall apply with respect to payment of Subcontractors.

Payments Withheld

If the Owner is unable to approve an application for payment as provided in Paragraph 14.02.C, it will notify the Contractor. If the Contractor and the Owner cannot agree on a revised amount, the Owner will issue a payment for the amount which it is able to approve. The Owner may also decline to make payment or, because of subsequently discovered evidence or subsequent observations, it may nullify the whole or any part of any payment previously issued, or, notwithstanding that the Owner has issued a payment, the Owner, in addition to and without limitation of any other rights and remedies of the Owner under the Contract Documents, may withhold payment of any amounts claimed to be due by the Contractor and paid by the Owner, in each case to such extent as may be necessary in order to provide for retention covering the fair value of the Owner's claims against the Contractor, which amounts may include, but shall not be limited to, the fair value of costs or losses arising from:

defective Work not remedied,

third party claims filed or reasonable evidence indicating probable filing of such claims,

failure of the Contractor to make payments properly to Subcontractors or for labor, materials or equipment,

reasonable evidence that the Work cannot be completed for the unpaid balance of the Contract Price,

damage to the Owner or another contractor,

reasonable evidence that the Work will not be completed within the Contract Time,

failure to carry out the Work in accordance with the Contract Documents or other default by the Contractor under, or failure of the Contractor to comply with any provisions of, the Contract Documents, or

actual or anticipated claims for damages for delay.

If Owner becomes aware that Police Department Detail charges were billed but not paid, Owner has the option to make such payment to the Police Department directly, and reduce any outstanding Requests for Payment by the same amount.

If and when the grounds set forth above are removed without cost to the Owner, payment may be requested and shall be made for amounts withheld because of such grounds.

Contractor's Warranty of Title

Contractor warrants and guarantees that title to all Work, materials, and equipment covered by any Application for Payment, whether incorporated in the Project or not, will pass to Owner no later than the time of payment free and clear of all Liens.

Final Inspection

Upon written notice from Contractor that the entire Work or an agreed portion thereof is complete, Engineer will promptly make a final inspection with Owner and Contractor and will notify Contractor in writing of all particulars in which this inspection reveals that the Work is incomplete or defective. Contractor shall immediately take such measures as are necessary to complete such Work or remedy such deficiencies.

SUSPENSION OF WORK AND TERMINATION

Owner May Suspend Work

At any time and without cause, Owner may suspend the Work or any portion thereof by notice in writing to Contractor and Engineer which may fix the date on which Work will be resumed. Contractor shall be granted an extension of the Contract Time only as its sole remedy or as otherwise permitted by applicable Massachusetts Law, directly attributable to any such suspension if Contractor makes a Claim therefor as provided in Paragraph 10.05 unless the suspension is due to the actions of the Contractor.

Owner May Terminate for Cause

The occurrence of any one or more of the following events will justify termination for cause:

Contractor's persistent failure to perform the Work in accordance with the Contract Documents (including, but not limited to, failure to supply sufficient skilled workers or suitable materials or equipment or failure to adhere to the Progress Schedule established under Paragraph 2.07 as adjusted from time to time pursuant to Paragraph 6.04 failure to make payments to subcontractors in accordance with the contract documents;

Contractor's disregard of Laws or Regulations of any public body having jurisdiction;

Contractor's repeated disregard of the authority of Engineer; or

Contractor's violation in any material way of any provisions of the Contract Documents or any other reason to terminate as reasonably determined by Owner.

DISPUTE RESOLUTION

Methods and Procedures

Either Owner or Contractor may request mediation of any Claim submitted to Engineer for a decision before such decision becomes final and binding. The mediation will be governed by the Construction Industry Mediation Rules of the American Arbitration Association in effect as of the Effective Date of the Agreement. The request for mediation shall be submitted in writing to the American Arbitration Association and the other party to the Contract.

Parties shall share the cost equally for mediation.

Owner and Contractor shall participate in the mediation process in good faith. The process shall be concluded within 60 days of filing of the request. The date of termination of the mediation shall be determined by application of the mediation rules referenced above.

The mediation to be conducted in Provincetown or other place acceptable to Owner shall be non-binding mediation.

If non-binding mediation fails, the issue shall be resolved exclusively in Barnstable Superior Court (jury waived) or such other dispute resolution as parties may jointly agree in writing.

Survival of Obligations

All representations, indemnifications, warranties, and guarantees made in, required by, or given in accordance with the Contract Documents, as well as all continuing obligations indicated in the Contract Documents, will survive final payment, completion, and acceptance of the Work or termination or completion of the Contract or termination of the services of Contractor.

Controlling Law

This Contract is to be governed by the laws of the Commonwealth of Massachusetts.

Labor and Legal Requirements

Contractor shall strictly abide by the Contract Documents and all regulations, ordinances, and laws applicable to the Work of this Contract, including Federal, State, County, and Town regulations.

The latest Prevailing Wage Rate Schedules setting forth minimum wages and supplements for this area of the state, together with labor standard provisions and non-discrimination in employment provisions are appended to the Agreement. In accordance with General Laws Chapter 149, Section 26 through 27D, the Contractor is obligated to comply with the prevailing wage rates established by the Commissioner of the Department of Labor and Workforce Development for mechanics, apprentices, chauffeurs, teamsters and laborers employed on the Project.

The Contractor shall make provision for the disability benefits, unemployment insurance and social security required by law.

The Contractor shall keep himself fully informed of all laws of the Commonwealth of Massachusetts (in which the Project is located) and of the United States of America, and of all municipal laws and ordinances in any manner affecting the Work of this Contract, and of all orders or decrees of any body or tribunal having any jurisdiction or authority in any manner affecting such Work, and shall be responsible for strict compliance therewith. If any clause of this Contract does not conform to any such law, such clause shall be void insofar as it conflicts with such law, and such law shall be operative in lieu thereof.

Each and every provision of law and clause required by law to be inserted in this Contract should be, is and is deemed to be inserted herein, and if through a mistake or otherwise any such provision is not inserted, or it is not correctly inserted, then upon the application of either party the Contract shall forthwith be amended physically to make such insertion.

If any provision of the Contract Documents shall be invalid or illegal, it shall not be deemed to form part thereof but the balance of the Contract Documents shall remain in full force and effect.

Attachments

Attachment A:

- Drawing 01:
Separate pdf file.
Bradford Street Sidewalk Improvements
Construction Plan 01
February 2019

- Drawing 02:
Separate pdf file.
Bradford Street Sidewalk Improvements
General Notes and Details 02
February 2019

Attachment B:

- Prevailing Wage Rates:
Separate pdf file.
Issued 3/5/19
Pages 1-40



**THE COMMONWEALTH OF MASSACHUSETTS
EXECUTIVE OFFICE OF LABOR AND WORKFORCE DEVELOPMENT
DEPARTMENT OF LABOR STANDARDS**

Prevailing Wage Rates

**As determined by the Director under the provisions of the
Massachusetts General Laws, Chapter 149, Sections 26 to 27H**

CHARLES D. BAKER
Governor

ROSALIN ACOSTA
Secretary

KARYN E. POLITO
Lt. Governor

WILLIAM D MCKINNEY
Director

Awarding Authority: Provintown DPW
Contract Number: **City/Town:** PROVINCETOWN
Description of Work: Bradford Street Sidewalk Work - New sidewalk, curb, concrete pad.
Job Location: Bradford Street, Provincetown, MA

Information about Prevailing Wage Schedules for Awarding Authorities and Contractors

- This wage schedule applies only to the specific project referenced at the top of this page and uniquely identified by the “Wage Request Number” on all pages of this schedule.
- An Awarding Authority must request an updated wage schedule from the Department of Labor Standards (“DLS”) if it has not opened bids or selected a contractor within 90 days of the date of issuance of the wage schedule. For CM AT RISK projects (bid pursuant to G.L. c.149A), the earlier of: (a) the execution date of the GMP Amendment, or (b) the bid for the first construction scope of work must be within 90-days of the wage schedule issuance date.
- The wage schedule shall be incorporated in any advertisement or call for bids for the project as required by M.G.L. c. 149, § 27. The wage schedule shall be made a part of the contract awarded for the project. The wage schedule must be posted in a conspicuous place at the work site for the life of the project in accordance with M.G.L. c. 149 § 27. The wages listed on the wage schedule must be paid to employees performing construction work on the project whether they are employed by the prime contractor, a filed sub-bidder, or any sub-contractor.
- All apprentices working on the project are required to be registered with the Massachusetts Department of Labor Standards, Division of Apprentice Standards (DLS/DAS). Apprentice must keep his/her apprentice identification card on his/her person during all work hours on the project. An apprentice registered with DAS may be paid the lower apprentice wage rate at the applicable step as provided on the prevailing wage schedule. **Any apprentice not registered with DLS/DAS regardless of whether or not they are registered with any other federal, state, local, or private agency must be paid the journeyworker's rate for the trade.**
- The wage rates will remain in effect for the duration of the project, except in the case of multi-year public construction projects. For construction projects lasting longer than one year, awarding authorities must request an updated wage schedule. Awarding authorities are required to request these updates no later than two weeks before the anniversary of the date the contract was executed by the awarding authority and the general contractor. For multi-year CM AT RISK projects, awarding authority must request an annual update no later than two weeks before the anniversary date, determined as the earlier of: (a) the execution date of the GMP Amendment, or (b) the execution date of the first amendment to permit procurement of construction services. Contractors are required to obtain the wage schedules from awarding authorities, and to pay no less than these rates to covered workers. The annual update requirement is not applicable to 27F “rental of equipment” contracts.
- Every contractor or subcontractor which performs construction work on the project is required to submit weekly payroll reports and a Statement of Compliance directly to the awarding authority by mail or email and keep them on file for three years. Each weekly payroll report must contain: the employee’s name, address, occupational classification, hours worked, and wages paid. Do not submit weekly payroll reports to DLS. A sample of a payroll reporting form may be obtained at <http://www.mass.gov/dols/pw>.
- Contractors with questions about the wage rates or classifications included on the wage schedule have an affirmative obligation to inquire with DLS at (617) 626-6953.
- Employees not receiving the prevailing wage rate set forth on the wage schedule may report the violation to the Fair Labor Division of the office of the Attorney General at (617) 727-3465.
- Failure of a contractor or subcontractor to pay the prevailing wage rates listed on the wage schedule to all employees who perform construction work on the project is a violation of the law and subjects the contractor or subcontractor to civil and

Classification	Effective Date	Base Wage	Health	Pension	Supplemental Unemployment	Total Rate
Construction						
(2 AXLE) DRIVER - EQUIPMENT <i>TEAMSTERS JOINT COUNCIL NO. 10 ZONE B</i>	12/01/2018	\$33.25	\$11.91	\$12.70	\$0.00	\$57.86
	06/01/2019	\$34.25	\$11.91	\$12.70	\$0.00	\$58.86
	08/01/2019	\$34.25	\$12.41	\$12.70	\$0.00	\$59.36
	12/01/2019	\$34.25	\$12.41	\$13.72	\$0.00	\$60.38
	06/01/2020	\$35.15	\$12.41	\$13.72	\$0.00	\$61.28
	08/01/2020	\$35.15	\$12.91	\$13.72	\$0.00	\$61.78
	12/01/2020	\$35.15	\$12.91	\$14.82	\$0.00	\$62.88
	06/01/2021	\$35.95	\$12.91	\$14.82	\$0.00	\$63.68
	08/01/2021	\$35.95	\$13.41	\$14.82	\$0.00	\$64.18
	12/01/2021	\$35.95	\$13.41	\$16.01	\$0.00	\$65.37
(3 AXLE) DRIVER - EQUIPMENT <i>TEAMSTERS JOINT COUNCIL NO. 10 ZONE B</i>	12/01/2018	\$33.32	\$11.91	\$12.70	\$0.00	\$57.93
	06/01/2019	\$34.32	\$11.91	\$12.70	\$0.00	\$58.93
	08/01/2019	\$34.32	\$12.41	\$12.70	\$0.00	\$59.43
	12/01/2019	\$34.32	\$12.41	\$13.72	\$0.00	\$60.45
	06/01/2020	\$35.22	\$12.41	\$13.72	\$0.00	\$61.35
	08/01/2020	\$35.22	\$12.91	\$13.72	\$0.00	\$61.85
	12/01/2020	\$35.22	\$12.91	\$14.82	\$0.00	\$62.95
	06/01/2021	\$36.02	\$12.91	\$14.82	\$0.00	\$63.75
	08/01/2021	\$36.02	\$13.41	\$14.82	\$0.00	\$64.25
	12/01/2021	\$36.02	\$13.41	\$16.01	\$0.00	\$65.44
(4 & 5 AXLE) DRIVER - EQUIPMENT <i>TEAMSTERS JOINT COUNCIL NO. 10 ZONE B</i>	12/01/2018	\$33.44	\$11.91	\$12.70	\$0.00	\$58.05
	06/01/2019	\$34.44	\$11.91	\$12.70	\$0.00	\$59.05
	08/01/2019	\$34.44	\$12.41	\$12.70	\$0.00	\$59.55
	12/01/2019	\$34.44	\$12.41	\$13.72	\$0.00	\$60.57
	06/01/2020	\$35.34	\$12.41	\$13.72	\$0.00	\$61.47
	08/01/2020	\$35.34	\$12.91	\$13.72	\$0.00	\$61.97
	12/01/2020	\$35.34	\$12.91	\$14.82	\$0.00	\$63.07
	06/01/2021	\$36.14	\$12.91	\$14.82	\$0.00	\$63.87
	08/01/2021	\$36.14	\$13.41	\$14.82	\$0.00	\$64.37
	12/01/2021	\$36.14	\$13.41	\$16.01	\$0.00	\$65.56
ADS/SUBMERSIBLE PILOT <i>PILE DRIVER LOCAL 56 (ZONE 2)</i>	08/01/2018	\$97.80	\$9.90	\$21.15	\$0.00	\$128.85
	08/01/2019	\$102.78	\$9.90	\$21.15	\$0.00	\$133.83
For apprentice rates see "Apprentice- PILE DRIVER"						
AIR TRACK OPERATOR <i>LABORERS - ZONE 2</i>	12/01/2018	\$34.27	\$7.85	\$14.44	\$0.00	\$56.56
	06/01/2019	\$35.14	\$7.85	\$14.44	\$0.00	\$57.43
	12/01/2019	\$36.00	\$7.85	\$14.44	\$0.00	\$58.29
	06/01/2020	\$36.89	\$7.85	\$14.44	\$0.00	\$59.18
	12/01/2020	\$37.78	\$7.85	\$14.44	\$0.00	\$60.07
	06/01/2021	\$38.70	\$7.85	\$14.44	\$0.00	\$60.99
	12/01/2021	\$39.61	\$7.85	\$14.44	\$0.00	\$61.90
For apprentice rates see "Apprentice- LABORER"						

Classification	Effective Date	Base Wage	Health	Pension	Supplemental Unemployment	Total Rate
ASBESTOS REMOVER - PIPE / MECH. EQUIPT. <i>HEAT & FROST INSULATORS LOCAL 6 (BOSTON)</i>	12/01/2018	\$35.40	\$12.50	\$8.50	\$0.00	\$56.40
	06/01/2019	\$36.40	\$12.50	\$8.50	\$0.00	\$57.40
	12/01/2019	\$37.40	\$12.50	\$8.50	\$0.00	\$58.40
	06/01/2020	\$38.40	\$12.50	\$8.50	\$0.00	\$59.40
	12/01/2020	\$39.40	\$12.50	\$8.50	\$0.00	\$60.40
ASPHALT RAKER <i>LABORERS - ZONE 2</i>	12/01/2018	\$33.77	\$7.85	\$14.44	\$0.00	\$56.06
	06/01/2019	\$34.64	\$7.85	\$14.44	\$0.00	\$56.93
	12/01/2019	\$35.50	\$7.85	\$14.44	\$0.00	\$57.79
	06/01/2020	\$36.39	\$7.85	\$14.44	\$0.00	\$58.68
	12/01/2020	\$37.28	\$7.85	\$14.44	\$0.00	\$59.57
	06/01/2021	\$38.20	\$7.85	\$14.44	\$0.00	\$60.49
	12/01/2021	\$39.11	\$7.85	\$14.44	\$0.00	\$61.40
For apprentice rates see "Apprentice- LABORER"						
ASPHALT/CONCRETE/CRUSHER PLANT-ON SITE <i>OPERATING ENGINEERS LOCAL 4</i>	12/01/2018	\$47.58	\$11.50	\$15.60	\$0.00	\$74.68
	06/01/2019	\$48.68	\$11.50	\$15.60	\$0.00	\$75.78
	12/01/2019	\$49.83	\$11.50	\$15.60	\$0.00	\$76.93
	06/01/2020	\$50.93	\$11.50	\$15.60	\$0.00	\$78.03
	12/01/2020	\$52.08	\$11.50	\$15.60	\$0.00	\$79.18
	06/01/2021	\$53.18	\$11.50	\$15.60	\$0.00	\$80.28
	12/01/2021	\$54.33	\$11.50	\$15.60	\$0.00	\$81.43
For apprentice rates see "Apprentice- OPERATING ENGINEERS"						
BACKHOE/FRONT-END LOADER <i>OPERATING ENGINEERS LOCAL 4</i>	12/01/2018	\$47.58	\$11.50	\$15.60	\$0.00	\$74.68
	06/01/2019	\$48.68	\$11.50	\$15.60	\$0.00	\$75.78
	12/01/2019	\$49.83	\$11.50	\$15.60	\$0.00	\$76.93
	06/01/2020	\$50.93	\$11.50	\$15.60	\$0.00	\$78.03
	12/01/2020	\$52.08	\$11.50	\$15.60	\$0.00	\$79.18
	06/01/2021	\$53.18	\$11.50	\$15.60	\$0.00	\$80.28
	12/01/2021	\$54.33	\$11.50	\$15.60	\$0.00	\$81.43
For apprentice rates see "Apprentice- OPERATING ENGINEERS"						
BARCO-TYPE JUMPING TAMPER <i>LABORERS - ZONE 2</i>	12/01/2018	\$33.77	\$7.85	\$14.44	\$0.00	\$56.06
	06/01/2019	\$34.64	\$7.85	\$14.44	\$0.00	\$56.93
	12/01/2019	\$35.50	\$7.85	\$14.44	\$0.00	\$57.79
	06/01/2020	\$36.39	\$7.85	\$14.44	\$0.00	\$58.68
	12/01/2020	\$37.28	\$7.85	\$14.44	\$0.00	\$59.57
	06/01/2021	\$38.20	\$7.85	\$14.44	\$0.00	\$60.49
	12/01/2021	\$39.11	\$7.85	\$14.44	\$0.00	\$61.40
For apprentice rates see "Apprentice- LABORER"						
BLOCK PAVER, RAMMER / CURB SETTER <i>LABORERS - ZONE 2</i>	12/01/2018	\$34.27	\$7.85	\$14.44	\$0.00	\$56.56
	06/01/2019	\$35.14	\$7.85	\$14.44	\$0.00	\$57.43
	12/01/2019	\$36.00	\$7.85	\$14.44	\$0.00	\$58.29
	06/01/2020	\$36.89	\$7.85	\$14.44	\$0.00	\$59.18
	12/01/2020	\$37.78	\$7.85	\$14.44	\$0.00	\$60.07
	06/01/2021	\$38.70	\$7.85	\$14.44	\$0.00	\$60.99
	12/01/2021	\$39.61	\$7.85	\$14.44	\$0.00	\$61.90
For apprentice rates see "Apprentice- LABORER"						

Classification	Effective Date	Base Wage	Health	Pension	Supplemental Unemployment	Total Rate
BOILER MAKER	01/01/2019	\$44.71	\$7.07	\$17.72	\$0.00	\$69.50
<i>BOILERMAKERS LOCAL 29</i>	01/01/2020	\$46.10	\$7.07	\$17.98	\$0.00	\$71.15

Apprentice - BOILERMAKER - Local 29

Effective Date - 01/01/2019

Step	percent	Apprentice Base Wage	Health	Pension	Supplemental Unemployment	Total Rate
1	65	\$29.06	\$7.07	\$11.52	\$0.00	\$47.65
2	65	\$29.06	\$7.07	\$11.52	\$0.00	\$47.65
3	70	\$31.30	\$7.07	\$12.40	\$0.00	\$50.77
4	75	\$33.53	\$7.07	\$13.30	\$0.00	\$53.90
5	80	\$35.77	\$7.07	\$14.18	\$0.00	\$57.02
6	85	\$38.00	\$7.07	\$15.07	\$0.00	\$60.14
7	90	\$40.24	\$7.07	\$15.95	\$0.00	\$63.26
8	95	\$42.47	\$7.07	\$16.84	\$0.00	\$66.38

Effective Date - 01/01/2020

Step	percent	Apprentice Base Wage	Health	Pension	Supplemental Unemployment	Total Rate
1	65	\$29.97	\$7.07	\$11.69	\$0.00	\$48.73
2	65	\$29.97	\$7.07	\$11.69	\$0.00	\$48.73
3	70	\$32.27	\$7.07	\$12.59	\$0.00	\$51.93
4	75	\$34.58	\$7.07	\$13.49	\$0.00	\$55.14
5	80	\$36.88	\$7.07	\$14.38	\$0.00	\$58.33
6	85	\$39.19	\$7.07	\$15.29	\$0.00	\$61.55
7	90	\$41.49	\$7.07	\$16.18	\$0.00	\$64.74
8	95	\$43.80	\$7.07	\$17.09	\$0.00	\$67.96

Notes:

Apprentice to Journeyworker Ratio:1:4

BRICK/STONE/ARTIFICIAL MASONRY (INCL. MASONRY WATERPROOFING)	02/01/2019	\$53.55	\$10.75	\$20.66	\$0.00	\$84.96
<i>BRICKLAYERS LOCAL 3 (NEW BEDFORD)</i>	08/01/2019	\$54.90	\$10.75	\$20.80	\$0.00	\$86.45
	02/01/2020	\$55.54	\$10.75	\$20.80	\$0.00	\$87.09
	08/01/2020	\$56.89	\$10.75	\$20.95	\$0.00	\$88.59
	02/01/2021	\$57.53	\$10.75	\$20.95	\$0.00	\$89.23
	08/01/2021	\$58.93	\$10.75	\$21.11	\$0.00	\$90.79
	02/01/2022	\$59.52	\$10.75	\$21.11	\$0.00	\$91.38

Classification

Effective Date Base Wage Health Pension Supplemental Unemployment Total Rate

Apprentice - BRICK/PLASTER/CEMENT MASON - Local 3 New Bedford

Effective Date - 02/01/2019

Step	percent	Apprentice Base Wage	Health	Pension	Supplemental Unemployment	Total Rate
1	50	\$26.78	\$10.75	\$20.66	\$0.00	\$58.19
2	60	\$32.13	\$10.75	\$20.66	\$0.00	\$63.54
3	70	\$37.49	\$10.75	\$20.66	\$0.00	\$68.90
4	80	\$42.84	\$10.75	\$20.66	\$0.00	\$74.25
5	90	\$48.20	\$10.75	\$20.66	\$0.00	\$79.61

Effective Date - 08/01/2019

Step	percent	Apprentice Base Wage	Health	Pension	Supplemental Unemployment	Total Rate
1	50	\$27.45	\$10.75	\$20.80	\$0.00	\$59.00
2	60	\$32.94	\$10.75	\$20.80	\$0.00	\$64.49
3	70	\$38.43	\$10.75	\$20.80	\$0.00	\$69.98
4	80	\$43.92	\$10.75	\$20.80	\$0.00	\$75.47
5	90	\$49.41	\$10.75	\$20.80	\$0.00	\$80.96

Notes:

Apprentice to Journeyworker Ratio:1:5

BULLDOZER/GRADER/SCRAPER	12/01/2018	\$47.10	\$11.50	\$15.60	\$0.00	\$74.20
<i>OPERATING ENGINEERS LOCAL 4</i>	06/01/2019	\$48.19	\$11.50	\$15.60	\$0.00	\$75.29
	12/01/2019	\$49.33	\$11.50	\$15.60	\$0.00	\$76.43
	06/01/2020	\$50.41	\$11.50	\$15.60	\$0.00	\$77.51
	12/01/2020	\$51.55	\$11.50	\$15.60	\$0.00	\$78.65
	06/01/2021	\$52.64	\$11.50	\$15.60	\$0.00	\$79.74
	12/01/2021	\$53.78	\$11.50	\$15.60	\$0.00	\$80.88

For apprentice rates see "Apprentice- OPERATING ENGINEERS"

CAISSON & UNDERPINNING BOTTOM MAN	12/01/2018	\$39.75	\$7.85	\$15.55	\$0.00	\$63.15
<i>LABORERS - FOUNDATION AND MARINE</i>	06/01/2019	\$40.75	\$7.85	\$15.55	\$0.00	\$64.15
	12/01/2019	\$41.75	\$7.85	\$15.55	\$0.00	\$65.15
	06/01/2020	\$42.74	\$7.85	\$15.55	\$0.00	\$66.14
	12/01/2020	\$43.72	\$7.85	\$15.55	\$0.00	\$67.12
	06/01/2021	\$44.74	\$7.85	\$15.55	\$0.00	\$68.14
	12/01/2021	\$45.75	\$7.85	\$15.55	\$0.00	\$69.15

For apprentice rates see "Apprentice- LABORER"

CAISSON & UNDERPINNING LABORER	12/01/2018	\$38.60	\$7.85	\$15.55	\$0.00	\$62.00
<i>LABORERS - FOUNDATION AND MARINE</i>	06/01/2019	\$39.60	\$7.85	\$15.55	\$0.00	\$63.00
	12/01/2019	\$40.60	\$7.85	\$15.55	\$0.00	\$64.00
	06/01/2020	\$41.59	\$7.85	\$15.55	\$0.00	\$64.99
	12/01/2020	\$42.57	\$7.85	\$15.55	\$0.00	\$65.97
	06/01/2021	\$43.59	\$7.85	\$15.55	\$0.00	\$66.99
	12/01/2021	\$44.60	\$7.85	\$15.55	\$0.00	\$68.00

For apprentice rates see "Apprentice- LABORER"

Classification	Effective Date	Base Wage	Health	Pension	Supplemental Unemployment	Total Rate
CAISSON & UNDERPINNING TOP MAN <i>LABORERS - FOUNDATION AND MARINE</i>	12/01/2018	\$38.60	\$7.85	\$15.55	\$0.00	\$62.00
	06/01/2019	\$39.60	\$7.85	\$15.55	\$0.00	\$63.00
	12/01/2019	\$40.60	\$7.85	\$15.55	\$0.00	\$64.00
	06/01/2020	\$41.59	\$7.85	\$15.55	\$0.00	\$64.99
	12/01/2020	\$42.57	\$7.85	\$15.55	\$0.00	\$65.97
	06/01/2021	\$43.59	\$7.85	\$15.55	\$0.00	\$66.99
	12/01/2021	\$44.60	\$7.85	\$15.55	\$0.00	\$68.00
For apprentice rates see "Apprentice- LABORER"						
CARBIDE CORE DRILL OPERATOR <i>LABORERS - ZONE 2</i>	12/01/2018	\$33.77	\$7.85	\$14.44	\$0.00	\$56.06
	06/01/2019	\$34.64	\$7.85	\$14.44	\$0.00	\$56.93
	12/01/2019	\$35.50	\$7.85	\$14.44	\$0.00	\$57.79
	06/01/2020	\$36.39	\$7.85	\$14.44	\$0.00	\$58.68
	12/01/2020	\$37.28	\$7.85	\$14.44	\$0.00	\$59.57
	06/01/2021	\$38.20	\$7.85	\$14.44	\$0.00	\$60.49
	12/01/2021	\$39.11	\$7.85	\$14.44	\$0.00	\$61.40
For apprentice rates see "Apprentice- LABORER"						
CARPENTER <i>CARPENTERS -ZONE 2 (Eastern Massachusetts)</i>	03/01/2019	\$42.35	\$9.90	\$17.50	\$0.00	\$69.75

Apprentice - CARPENTER - Zone 2 Eastern MA

Effective Date - 03/01/2019

Step	percent	Apprentice Base Wage	Health	Pension	Supplemental Unemployment	Total Rate
1	50	\$21.18	\$9.90	\$1.73	\$0.00	\$32.81
2	60	\$25.41	\$9.90	\$1.73	\$0.00	\$37.04
3	70	\$29.65	\$9.90	\$12.31	\$0.00	\$51.86
4	75	\$31.76	\$9.90	\$12.31	\$0.00	\$53.97
5	80	\$33.88	\$9.90	\$14.04	\$0.00	\$57.82
6	80	\$33.88	\$9.90	\$14.04	\$0.00	\$57.82
7	90	\$38.12	\$9.90	\$15.77	\$0.00	\$63.79
8	90	\$38.12	\$9.90	\$15.77	\$0.00	\$63.79

Notes:

% Indentured After 10/1/17; 45/45/55/55/70/70/80/80
Step 1&2 \$30.69/ 3&4 \$36.59/ 5&6 \$53.59/ 7&8 \$59.55

Apprentice to Journeyworker Ratio:1:5

CARPENTER WOOD FRAME <i>CARPENTERS -ZONE 2 (Wood Frame)</i>	10/01/2018	\$27.09	\$7.07	\$7.86	\$0.00	\$42.02
	04/01/2019	\$27.52	\$7.07	\$7.86	\$0.00	\$42.45
	10/01/2019	\$27.95	\$7.07	\$7.86	\$0.00	\$42.88
All Aspects of New Wood Frame Work						

Classification

Effective Date Base Wage Health Pension Supplemental Unemployment Total Rate

Apprentice - CARPENTER (Wood Frame) - Zone 2

Effective Date - 10/01/2018

Step	percent	Apprentice Base Wage	Health	Pension	Supplemental Unemployment	Total Rate
1	60	\$16.25	\$7.07	\$0.00	\$0.00	\$23.32
2	60	\$16.25	\$7.07	\$0.00	\$0.00	\$23.32
3	65	\$17.61	\$7.07	\$7.86	\$0.00	\$32.54
4	70	\$18.96	\$7.07	\$7.86	\$0.00	\$33.89
5	75	\$20.32	\$7.07	\$7.86	\$0.00	\$35.25
6	80	\$21.67	\$7.07	\$7.86	\$0.00	\$36.60
7	85	\$23.03	\$7.07	\$7.86	\$0.00	\$37.96
8	90	\$24.38	\$7.07	\$7.86	\$0.00	\$39.31

Effective Date - 04/01/2019

Step	percent	Apprentice Base Wage	Health	Pension	Supplemental Unemployment	Total Rate
1	60	\$16.51	\$7.07	\$0.00	\$0.00	\$23.58
2	60	\$16.51	\$7.07	\$0.00	\$0.00	\$23.58
3	65	\$17.89	\$7.07	\$7.86	\$0.00	\$32.82
4	70	\$19.26	\$7.07	\$7.86	\$0.00	\$34.19
5	75	\$20.64	\$7.07	\$7.86	\$0.00	\$35.57
6	80	\$22.02	\$7.07	\$7.86	\$0.00	\$36.95
7	85	\$23.39	\$7.07	\$7.86	\$0.00	\$38.32
8	90	\$24.77	\$7.07	\$7.86	\$0.00	\$39.70

Notes:
 % Indentured After 10/1/17; 45/45/55/55/70/70/80/80
 Step 1&2 \$19.26/ 3&4 \$26.72/ 5&6 \$33.89/ 7&8 \$36.60

Apprentice to Journeyworker Ratio:1:5

CEMENT MASONRY/PLASTERING BRICKLAYERS LOCAL 3 (NEW BEDFORD)	01/01/2019	\$47.50	\$12.50	\$22.41	\$0.30	\$82.71
	07/01/2019	\$48.24	\$12.50	\$22.41	\$0.30	\$83.45
	01/01/2020	\$49.64	\$12.50	\$22.41	\$0.30	\$84.85

Classification

Effective Date Base Wage Health Pension Supplemental Unemployment Total Rate

Apprentice - CEMENT MASONRY/PLASTERING - Eastern Mass (New Bedford)

Effective Date - 01/01/2019

Step	percent	Apprentice Base Wage	Health	Pension	Supplemental Unemployment	Total Rate
1	50	\$23.75	\$12.50	\$15.41	\$0.00	\$51.66
2	60	\$28.50	\$12.50	\$17.41	\$0.30	\$58.71
3	65	\$30.88	\$12.50	\$18.41	\$0.30	\$62.09
4	70	\$33.25	\$12.50	\$19.41	\$0.30	\$65.46
5	75	\$35.63	\$12.50	\$20.41	\$0.30	\$68.84
6	80	\$38.00	\$12.50	\$21.41	\$0.30	\$72.21
7	90	\$42.75	\$12.50	\$22.41	\$0.30	\$77.96

Effective Date - 07/01/2019

Step	percent	Apprentice Base Wage	Health	Pension	Supplemental Unemployment	Total Rate
1	50	\$24.12	\$12.50	\$15.41	\$0.00	\$52.03
2	60	\$28.94	\$12.50	\$17.41	\$0.30	\$59.15
3	65	\$31.36	\$12.50	\$18.41	\$0.30	\$62.57
4	70	\$33.77	\$12.50	\$19.41	\$0.30	\$65.98
5	75	\$36.18	\$12.50	\$20.41	\$0.30	\$69.39
6	80	\$38.59	\$12.50	\$21.41	\$0.30	\$72.80
7	90	\$43.42	\$12.50	\$22.41	\$0.30	\$78.63

Notes:

Steps 3,4 are 500 hrs. All other steps are 1,000 hrs.

Apprentice to Journeyworker Ratio:1:3

CHAIN SAW OPERATOR	12/01/2018	\$33.77	\$7.85	\$14.44	\$0.00	\$56.06
LABORERS - ZONE 2	06/01/2019	\$34.64	\$7.85	\$14.44	\$0.00	\$56.93
	12/01/2019	\$35.50	\$7.85	\$14.44	\$0.00	\$57.79
	06/01/2020	\$36.39	\$7.85	\$14.44	\$0.00	\$58.68
	12/01/2020	\$37.28	\$7.85	\$14.44	\$0.00	\$59.57
	06/01/2021	\$38.20	\$7.85	\$14.44	\$0.00	\$60.49
	12/01/2021	\$39.11	\$7.85	\$14.44	\$0.00	\$61.40

For apprentice rates see "Apprentice- LABORER"

CLAM SHELLS/SLURRY BUCKETS/HEADING MACHINES	12/01/2018	\$48.58	\$11.50	\$15.60	\$0.00	\$75.68
OPERATING ENGINEERS LOCAL 4	06/01/2019	\$49.68	\$11.50	\$15.60	\$0.00	\$76.78
	12/01/2019	\$50.83	\$11.50	\$15.60	\$0.00	\$77.93
	06/01/2020	\$51.93	\$11.50	\$15.60	\$0.00	\$79.03
	12/01/2020	\$53.08	\$11.50	\$15.60	\$0.00	\$80.18
	06/01/2021	\$54.18	\$11.50	\$15.60	\$0.00	\$81.28
	12/01/2021	\$55.33	\$11.50	\$15.60	\$0.00	\$82.43

For apprentice rates see "Apprentice- OPERATING ENGINEERS"

Classification	Effective Date	Base Wage	Health	Pension	Supplemental Unemployment	Total Rate
COMPRESSOR OPERATOR <i>OPERATING ENGINEERS LOCAL 4</i>	12/01/2018	\$32.03	\$11.50	\$15.60	\$0.00	\$59.13
	06/01/2019	\$32.78	\$11.50	\$15.60	\$0.00	\$59.88
	12/01/2019	\$33.57	\$11.50	\$15.60	\$0.00	\$60.67
	06/01/2020	\$34.32	\$11.50	\$15.60	\$0.00	\$61.42
	12/01/2020	\$35.10	\$11.50	\$15.60	\$0.00	\$62.20
	06/01/2021	\$35.85	\$11.50	\$15.60	\$0.00	\$62.95
	12/01/2021	\$36.64	\$11.50	\$15.60	\$0.00	\$63.74

For apprentice rates see "Apprentice- OPERATING ENGINEERS"

DELEADER (BRIDGE) <i>PAINTERS LOCAL 35 - ZONE 2</i>	01/01/2019	\$50.36	\$8.15	\$20.85	\$0.00	\$79.36
	07/01/2019	\$51.46	\$8.15	\$20.85	\$0.00	\$80.46
	01/01/2020	\$52.56	\$8.15	\$20.85	\$0.00	\$81.56
	07/01/2020	\$53.66	\$8.15	\$20.85	\$0.00	\$82.66
	01/01/2021	\$54.76	\$8.15	\$20.85	\$0.00	\$83.76

Apprentice - PAINTER Local 35 - BRIDGES/TANKS

Effective Date - 01/01/2019

Step	percent	Apprentice Base Wage	Health	Pension	Supplemental Unemployment	Total Rate
1	50	\$25.18	\$8.15	\$0.00	\$0.00	\$33.33
2	55	\$27.70	\$8.15	\$5.64	\$0.00	\$41.49
3	60	\$30.22	\$8.15	\$6.15	\$0.00	\$44.52
4	65	\$32.73	\$8.15	\$6.66	\$0.00	\$47.54
5	70	\$35.25	\$8.15	\$17.78	\$0.00	\$61.18
6	75	\$37.77	\$8.15	\$18.29	\$0.00	\$64.21
7	80	\$40.29	\$8.15	\$18.80	\$0.00	\$67.24
8	90	\$45.32	\$8.15	\$19.83	\$0.00	\$73.30

Effective Date - 07/01/2019

Step	percent	Apprentice Base Wage	Health	Pension	Supplemental Unemployment	Total Rate
1	50	\$25.73	\$8.15	\$0.00	\$0.00	\$33.88
2	55	\$28.30	\$8.15	\$5.64	\$0.00	\$42.09
3	60	\$30.88	\$8.15	\$6.15	\$0.00	\$45.18
4	65	\$33.45	\$8.15	\$6.66	\$0.00	\$48.26
5	70	\$36.02	\$8.15	\$17.78	\$0.00	\$61.95
6	75	\$38.60	\$8.15	\$18.29	\$0.00	\$65.04
7	80	\$41.17	\$8.15	\$18.80	\$0.00	\$68.12
8	90	\$46.31	\$8.15	\$19.83	\$0.00	\$74.29

Notes:

Steps are 750 hrs.

Apprentice to Journeyworker Ratio:1:1

DEMO: ADZEMAN <i>LABORERS - ZONE 2</i>	12/01/2018	\$38.80	\$7.85	\$15.35	\$0.00	\$62.00
	06/01/2019	\$39.80	\$7.85	\$15.35	\$0.00	\$63.00
	12/01/2019	\$40.80	\$7.85	\$15.35	\$0.00	\$64.00

For apprentice rates see "Apprentice- LABORER"

Classification	Effective Date	Base Wage	Health	Pension	Supplemental Unemployment	Total Rate
DEMO: BACKHOE/LOADER/HAMMER OPERATOR <i>LABORERS - ZONE 2</i>	12/01/2018	\$39.80	\$7.85	\$15.35	\$0.00	\$63.00
	06/01/2019	\$40.80	\$7.85	\$15.35	\$0.00	\$64.00
	12/01/2019	\$41.80	\$7.85	\$15.35	\$0.00	\$65.00
For apprentice rates see "Apprentice- LABORER"						
DEMO: BURNERS <i>LABORERS - ZONE 2</i>	12/01/2018	\$39.55	\$7.85	\$15.35	\$0.00	\$62.75
	06/01/2019	\$40.55	\$7.85	\$15.35	\$0.00	\$63.75
	12/01/2019	\$41.55	\$7.85	\$15.35	\$0.00	\$64.75
For apprentice rates see "Apprentice- LABORER"						
DEMO: CONCRETE CUTTER/SAWYER <i>LABORERS - ZONE 2</i>	12/01/2018	\$39.80	\$7.85	\$15.35	\$0.00	\$63.00
	06/01/2019	\$40.80	\$7.85	\$15.35	\$0.00	\$64.00
	12/01/2019	\$41.80	\$7.85	\$15.35	\$0.00	\$65.00
For apprentice rates see "Apprentice- LABORER"						
DEMO: JACKHAMMER OPERATOR <i>LABORERS - ZONE 2</i>	12/01/2018	\$39.55	\$7.85	\$15.35	\$0.00	\$62.75
	06/01/2019	\$40.55	\$7.85	\$15.35	\$0.00	\$63.75
	12/01/2019	\$41.55	\$7.85	\$15.35	\$0.00	\$64.75
For apprentice rates see "Apprentice- LABORER"						
DEMO: WRECKING LABORER <i>LABORERS - ZONE 2</i>	12/01/2018	\$38.80	\$7.85	\$15.35	\$0.00	\$62.00
	06/01/2019	\$39.80	\$7.85	\$15.35	\$0.00	\$63.00
	12/01/2019	\$40.80	\$7.85	\$15.35	\$0.00	\$64.00
For apprentice rates see "Apprentice- LABORER"						
DIRECTIONAL DRILL MACHINE OPERATOR <i>OPERATING ENGINEERS LOCAL 4</i>	12/01/2018	\$47.10	\$11.50	\$15.60	\$0.00	\$74.20
	06/01/2019	\$48.19	\$11.50	\$15.60	\$0.00	\$75.29
	12/01/2019	\$49.33	\$11.50	\$15.60	\$0.00	\$76.43
	06/01/2020	\$50.41	\$11.50	\$15.60	\$0.00	\$77.51
	12/01/2020	\$51.55	\$11.50	\$15.60	\$0.00	\$78.65
	06/01/2021	\$52.64	\$11.50	\$15.60	\$0.00	\$79.74
	12/01/2021	\$53.78	\$11.50	\$15.60	\$0.00	\$80.88
For apprentice rates see "Apprentice- OPERATING ENGINEERS"						
DIVER <i>PILE DRIVER LOCAL 56 (ZONE 2)</i>	08/01/2018	\$65.20	\$9.90	\$21.15	\$0.00	\$96.25
	08/01/2019	\$68.52	\$9.90	\$21.15	\$0.00	\$99.57
For apprentice rates see "Apprentice- PILE DRIVER"						
DIVER TENDER <i>PILE DRIVER LOCAL 56 (ZONE 2)</i>	08/01/2018	\$46.57	\$9.90	\$21.15	\$0.00	\$77.62
	08/01/2019	\$48.94	\$9.90	\$21.15	\$0.00	\$79.99
For apprentice rates see "Apprentice- PILE DRIVER"						
DIVER TENDER (EFFLUENT) <i>PILE DRIVER LOCAL 56 (ZONE 2)</i>	08/01/2018	\$69.86	\$9.90	\$21.15	\$0.00	\$100.91
	08/01/2019	\$73.41	\$9.90	\$21.15	\$0.00	\$104.46
For apprentice rates see "Apprentice- PILE DRIVER"						
DIVER/SLURRY (EFFLUENT) <i>PILE DRIVER LOCAL 56 (ZONE 2)</i>	08/01/2018	\$97.80	\$9.90	\$21.15	\$0.00	\$128.85
	08/01/2019	\$102.78	\$9.90	\$21.15	\$0.00	\$133.83
For apprentice rates see "Apprentice- PILE DRIVER"						
ELECTRICIAN <i>ELECTRICIANS LOCAL 223</i>	03/01/2019	\$41.64	\$9.90	\$13.15	\$0.00	\$64.69
	09/01/2019	\$42.26	\$10.15	\$13.54	\$0.00	\$65.95
	03/01/2020	\$42.87	\$10.40	\$13.94	\$0.00	\$67.21

Apprentice - ELECTRICIAN - Local 223

Effective Date - 03/01/2019

Step	percent	Apprentice Base Wage	Health	Pension	Supplemental Unemployment	Total Rate
1	40	\$16.66	\$9.90	\$0.50	\$0.00	\$27.06
2	42	\$17.49	\$9.90	\$0.52	\$0.00	\$27.91
3	45	\$18.74	\$9.90	\$0.58	\$0.00	\$29.22
4	48	\$19.99	\$9.90	\$4.64	\$0.00	\$34.53
5	50	\$20.82	\$9.90	\$4.68	\$0.00	\$35.40
6	55	\$22.90	\$9.90	\$5.04	\$0.00	\$37.84
7	60	\$24.98	\$9.90	\$5.34	\$0.00	\$40.22
8	65	\$27.07	\$9.90	\$5.64	\$0.00	\$42.61
9	70	\$29.15	\$9.90	\$5.93	\$0.00	\$44.98
10	75	\$31.23	\$9.90	\$6.18	\$0.00	\$47.31

Effective Date - 09/01/2019

Step	percent	Apprentice Base Wage	Health	Pension	Supplemental Unemployment	Total Rate
1	40	\$16.90	\$10.15	\$0.51	\$0.00	\$27.56
2	42	\$17.75	\$10.15	\$0.53	\$0.00	\$28.43
3	45	\$19.02	\$10.15	\$0.57	\$0.00	\$29.74
4	48	\$20.28	\$10.15	\$4.93	\$0.00	\$35.36
5	50	\$21.13	\$10.15	\$4.97	\$0.00	\$36.25
6	55	\$23.24	\$10.15	\$5.33	\$0.00	\$38.72
7	60	\$25.36	\$10.15	\$5.64	\$0.00	\$41.15
8	65	\$27.47	\$10.15	\$5.94	\$0.00	\$43.56
9	70	\$29.58	\$10.15	\$6.25	\$0.00	\$45.98
10	75	\$31.70	\$10.15	\$6.50	\$0.00	\$48.35

Notes:
Steps are 750 hours

Apprentice to Journeyworker Ratio:2:3***

ELEVATOR CONSTRUCTOR	01/01/2019	\$59.47	\$15.58	\$17.51	\$0.00	\$92.56
ELEVATOR CONSTRUCTORS LOCAL 4	01/01/2020	\$61.42	\$15.73	\$18.41	\$0.00	\$95.56
	01/01/2021	\$63.47	\$15.88	\$19.31	\$0.00	\$98.66
	01/01/2022	\$65.62	\$16.03	\$20.21	\$0.00	\$101.86

Classification

Effective Date Base Wage Health Pension Supplemental Unemployment Total Rate

Apprentice - ELEVATOR CONSTRUCTOR - Local 4

Effective Date - 01/01/2019

Step	percent	Apprentice Base Wage	Health	Pension	Supplemental Unemployment	Total Rate
1	50	\$29.74	\$15.58	\$0.00	\$0.00	\$45.32
2	55	\$32.71	\$15.58	\$17.51	\$0.00	\$65.80
3	65	\$38.66	\$15.58	\$17.51	\$0.00	\$71.75
4	70	\$41.63	\$15.58	\$17.51	\$0.00	\$74.72
5	80	\$47.58	\$15.58	\$17.51	\$0.00	\$80.67

Effective Date - 01/01/2020

Step	percent	Apprentice Base Wage	Health	Pension	Supplemental Unemployment	Total Rate
1	50	\$30.71	\$15.73	\$0.00	\$0.00	\$46.44
2	55	\$33.78	\$15.73	\$18.41	\$0.00	\$67.92
3	65	\$39.92	\$15.73	\$18.41	\$0.00	\$74.06
4	70	\$42.99	\$15.73	\$18.41	\$0.00	\$77.13
5	80	\$49.14	\$15.73	\$18.41	\$0.00	\$83.28

Notes:
Steps 1-2 are 6 mos.; Steps 3-5 are 1 year

Apprentice to Journeyworker Ratio:1:1

ELEVATOR CONSTRUCTOR HELPER <i>ELEVATOR CONSTRUCTORS LOCAL 4</i>	01/01/2019	\$41.63	\$15.58	\$17.51	\$0.00	\$74.72
	01/01/2020	\$42.99	\$15.73	\$18.41	\$0.00	\$77.13
	01/01/2021	\$44.43	\$15.88	\$19.31	\$0.00	\$79.62
	01/01/2022	\$45.93	\$16.03	\$20.21	\$0.00	\$82.17

For apprentice rates see "Apprentice - ELEVATOR CONSTRUCTOR"

FENCE & GUARD RAIL ERECTOR <i>LABORERS - ZONE 2</i>	12/01/2018	\$33.77	\$7.85	\$14.44	\$0.00	\$56.06
	06/01/2019	\$34.64	\$7.85	\$14.44	\$0.00	\$56.93
	12/01/2019	\$35.50	\$7.85	\$14.44	\$0.00	\$57.79
	06/01/2020	\$36.39	\$7.85	\$14.44	\$0.00	\$58.68
	12/01/2020	\$37.28	\$7.85	\$14.44	\$0.00	\$59.57
	06/01/2021	\$38.20	\$7.85	\$14.44	\$0.00	\$60.49
	12/01/2021	\$39.11	\$7.85	\$14.44	\$0.00	\$61.40

For apprentice rates see "Apprentice- LABORER"

FIELD ENG.INST.PERSON-BLDG,SITE,HVY/HWY <i>OPERATING ENGINEERS LOCAL 4</i>	11/01/2018	\$43.19	\$11.00	\$15.50	\$0.00	\$69.69
	05/01/2019	\$44.33	\$11.00	\$15.50	\$0.00	\$70.83
	11/01/2019	\$45.33	\$11.00	\$15.50	\$0.00	\$71.83
	05/01/2020	\$46.48	\$11.00	\$15.50	\$0.00	\$72.98
	11/01/2020	\$47.48	\$11.00	\$15.50	\$0.00	\$73.98
	05/01/2021	\$48.68	\$11.00	\$15.50	\$0.00	\$75.18
	11/01/2021	\$49.63	\$11.00	\$15.50	\$0.00	\$76.13
	05/01/2022	\$50.78	\$11.00	\$15.50	\$0.00	\$77.28

For apprentice rates see "Apprentice- OPERATING ENGINEERS"

Classification	Effective Date	Base Wage	Health	Pension	Supplemental Unemployment	Total Rate
FIELD ENG.PARTY CHIEF-BLDG,SITE,HVY/HWY <i>OPERATING ENGINEERS LOCAL 4</i>	11/01/2018	\$44.67	\$11.00	\$15.50	\$0.00	\$71.17
	05/01/2019	\$45.82	\$11.00	\$15.50	\$0.00	\$72.32
	11/01/2019	\$46.83	\$11.00	\$15.50	\$0.00	\$73.33
	05/01/2020	\$47.98	\$11.00	\$15.50	\$0.00	\$74.48
	11/01/2020	\$48.99	\$11.00	\$15.50	\$0.00	\$75.49
	05/01/2021	\$50.15	\$11.00	\$15.50	\$0.00	\$76.65
	11/01/2021	\$51.16	\$11.00	\$15.50	\$0.00	\$77.66
	05/01/2022	\$52.32	\$11.00	\$15.50	\$0.00	\$78.82
For apprentice rates see "Apprentice- OPERATING ENGINEERS"						
FIELD ENG.ROD PERSON-BLDG,SITE,HVY/HWY <i>OPERATING ENGINEERS LOCAL 4</i>	11/01/2018	\$22.45	\$11.00	\$15.50	\$0.00	\$48.95
	05/01/2019	\$23.13	\$11.00	\$15.50	\$0.00	\$49.63
	11/01/2019	\$23.72	\$11.00	\$15.50	\$0.00	\$50.22
	05/01/2020	\$24.39	\$11.00	\$15.50	\$0.00	\$50.89
	11/01/2020	\$24.98	\$11.00	\$15.50	\$0.00	\$51.48
	05/01/2021	\$25.66	\$11.00	\$15.50	\$0.00	\$52.16
	11/01/2021	\$26.26	\$11.00	\$15.50	\$0.00	\$52.76
	05/01/2022	\$26.93	\$11.00	\$15.50	\$0.00	\$53.43
For apprentice rates see "Apprentice- OPERATING ENGINEERS"						
FIRE ALARM INSTALLER <i>ELECTRICIANS LOCAL 223</i>	03/01/2019	\$41.64	\$9.90	\$13.15	\$0.00	\$64.69
	09/01/2019	\$42.26	\$10.15	\$13.54	\$0.00	\$65.95
	03/01/2020	\$42.87	\$10.40	\$13.94	\$0.00	\$67.21
For apprentice rates see "Apprentice- ELECTRICIAN"						
FIRE ALARM REPAIR / MAINTENANCE / COMMISSIONING <i>ELECTRICIANS</i> <i>LOCAL 223</i>	03/01/2019	\$35.25	\$9.90	\$11.14	\$0.00	\$56.29
	09/01/2019	\$35.78	\$10.15	\$11.45	\$0.00	\$57.38
	03/01/2020	\$36.27	\$10.40	\$11.78	\$0.00	\$58.45
For apprentice rates see "Apprentice- TELECOMMUNICATIONS TECHNICIAN"						
FIREMAN (ASST. ENGINEER) <i>OPERATING ENGINEERS LOCAL 4</i>	12/01/2018	\$39.13	\$11.50	\$15.60	\$0.00	\$66.23
	06/01/2019	\$40.04	\$11.50	\$15.60	\$0.00	\$67.14
	12/01/2019	\$40.99	\$11.50	\$15.60	\$0.00	\$68.09
	06/01/2020	\$41.90	\$11.50	\$15.60	\$0.00	\$69.00
	12/01/2020	\$42.85	\$11.50	\$15.60	\$0.00	\$69.95
	06/01/2021	\$43.76	\$11.50	\$15.60	\$0.00	\$70.86
	12/01/2021	\$44.71	\$11.50	\$15.60	\$0.00	\$71.81
For apprentice rates see "Apprentice- OPERATING ENGINEERS"						
FLAGGER & SIGNALER <i>LABORERS - ZONE 2</i>	12/01/2018	\$22.50	\$7.85	\$14.44	\$0.00	\$44.79
	06/01/2019	\$22.50	\$7.85	\$14.44	\$0.00	\$44.79
	12/01/2019	\$23.50	\$7.85	\$14.44	\$0.00	\$45.79
	06/01/2020	\$23.50	\$7.85	\$14.44	\$0.00	\$45.79
	12/01/2020	\$24.50	\$7.85	\$14.44	\$0.00	\$46.79
	06/01/2021	\$24.50	\$7.85	\$14.44	\$0.00	\$46.79
	12/01/2021	\$24.50	\$7.85	\$14.44	\$0.00	\$46.79
For apprentice rates see "Apprentice- LABORER"						
FLOORCOVERER <i>FLOORCOVERERS LOCAL 2168 ZONE II</i>	03/01/2016	\$39.82	\$9.80	\$17.62	\$0.00	\$67.24

Classification

Effective Date Base Wage Health Pension Supplemental Unemployment Total Rate

Apprentice - FLOORCOVERER - Local 2168 Zone II

Effective Date - 03/01/2016

Step	percent	Apprentice Base Wage	Health	Pension	Supplemental Unemployment	Total Rate
1	50	\$19.91	\$9.80	\$1.79	\$0.00	\$31.50
2	55	\$21.90	\$9.80	\$1.79	\$0.00	\$33.49
3	60	\$23.89	\$9.80	\$12.25	\$0.00	\$45.94
4	65	\$25.88	\$9.80	\$12.25	\$0.00	\$47.93
5	70	\$27.87	\$9.80	\$14.04	\$0.00	\$51.71
6	75	\$29.87	\$9.80	\$14.04	\$0.00	\$53.71
7	80	\$31.86	\$9.80	\$15.83	\$0.00	\$57.49
8	85	\$33.85	\$9.80	\$15.83	\$0.00	\$59.48

Notes: Steps are 750 hrs.
 % After 09/1/17; 45/45/55/55/70/70/80/80 (1500hr Steps)
 Step 1&2 \$29.51/ 3&4 \$35.22/ 5&6 \$51.71/ 7&8 \$57.49

Apprentice to Journeyworker Ratio:1:1

FORK LIFT/CHERRY PICKER <i>OPERATING ENGINEERS LOCAL 4</i>	12/01/2018	\$47.58	\$11.50	\$15.60	\$0.00	\$74.68
	06/01/2019	\$48.68	\$11.50	\$15.60	\$0.00	\$75.78
	12/01/2019	\$49.83	\$11.50	\$15.60	\$0.00	\$76.93
	06/01/2020	\$50.93	\$11.50	\$15.60	\$0.00	\$78.03
	12/01/2020	\$52.08	\$11.50	\$15.60	\$0.00	\$79.18
	06/01/2021	\$53.18	\$11.50	\$15.60	\$0.00	\$80.28
	12/01/2021	\$54.33	\$11.50	\$15.60	\$0.00	\$81.43

For apprentice rates see "Apprentice- OPERATING ENGINEERS"

GENERATOR/LIGHTING PLANT/HEATERS <i>OPERATING ENGINEERS LOCAL 4</i>	12/01/2018	\$32.03	\$11.50	\$15.60	\$0.00	\$59.13
	06/01/2019	\$32.78	\$11.50	\$15.60	\$0.00	\$59.88
	12/01/2019	\$33.57	\$11.50	\$15.60	\$0.00	\$60.67
	06/01/2020	\$34.32	\$11.50	\$15.60	\$0.00	\$61.42
	12/01/2020	\$35.10	\$11.50	\$15.60	\$0.00	\$62.20
	06/01/2021	\$35.85	\$11.50	\$15.60	\$0.00	\$62.95
	12/01/2021	\$36.64	\$11.50	\$15.60	\$0.00	\$63.74

For apprentice rates see "Apprentice- OPERATING ENGINEERS"

GLAZIER (GLASS PLANK/AIR BARRIER/INTERIOR SYSTEMS) <i>GLAZIERS LOCAL 1333</i>	06/01/2018	\$37.18	\$10.40	\$9.35	\$0.00	\$56.93
	06/01/2019	\$38.18	\$10.60	\$9.90	\$0.00	\$58.68
	06/01/2020	\$39.18	\$10.80	\$10.45	\$0.00	\$60.43

Apprentice - GLAZIER - Local 1333

Effective Date - 06/01/2018

Step	percent	Apprentice Base Wage	Health	Pension	Supplemental Unemployment	Total Rate
1	50	\$18.59	\$10.40	\$1.60	\$0.00	\$30.59
2	56	\$20.91	\$10.40	\$1.60	\$0.00	\$32.91
3	63	\$23.24	\$10.40	\$2.10	\$0.00	\$35.74
4	69	\$25.56	\$10.40	\$2.10	\$0.00	\$38.06
5	75	\$27.89	\$10.40	\$2.60	\$0.00	\$40.89
6	81	\$30.21	\$10.40	\$2.60	\$0.00	\$43.21
7	88	\$32.53	\$10.40	\$9.35	\$0.00	\$52.28
8	94	\$34.86	\$10.40	\$9.35	\$0.00	\$54.61

Effective Date - 06/01/2019

Step	percent	Apprentice Base Wage	Health	Pension	Supplemental Unemployment	Total Rate
1	50	\$19.09	\$10.60	\$1.80	\$0.00	\$31.49
2	56	\$21.48	\$10.60	\$1.80	\$0.00	\$33.88
3	63	\$23.86	\$10.60	\$2.40	\$0.00	\$36.86
4	69	\$26.25	\$10.60	\$2.40	\$0.00	\$39.25
5	75	\$28.64	\$10.60	\$2.90	\$0.00	\$42.14
6	81	\$31.02	\$10.60	\$2.90	\$0.00	\$44.52
7	88	\$33.41	\$10.60	\$9.90	\$0.00	\$53.91
8	94	\$35.79	\$10.60	\$9.90	\$0.00	\$56.29

Notes:

Apprentice to Journeyworker Ratio:1:3

HOISTING ENGINEER/CRANES/GRADALLS	12/01/2018	\$47.58	\$11.50	\$15.60	\$0.00	\$74.68
OPERATING ENGINEERS LOCAL 4	06/01/2019	\$48.68	\$11.50	\$15.60	\$0.00	\$75.78
	12/01/2019	\$49.83	\$11.50	\$15.60	\$0.00	\$76.93
	06/01/2020	\$50.93	\$11.50	\$15.60	\$0.00	\$78.03
	12/01/2020	\$52.08	\$11.50	\$15.60	\$0.00	\$79.18
	06/01/2021	\$53.18	\$11.50	\$15.60	\$0.00	\$80.28
	12/01/2021	\$54.33	\$11.50	\$15.60	\$0.00	\$81.43

Classification

Effective Date Base Wage Health Pension Supplemental Unemployment Total Rate

Apprentice - OPERATING ENGINEERS - Local 4

Effective Date - 12/01/2018

Step	percent	Apprentice Base Wage	Health	Pension	Supplemental Unemployment	Total Rate
1	55	\$26.17	\$11.50	\$0.00	\$0.00	\$37.67
2	60	\$28.55	\$11.50	\$15.60	\$0.00	\$55.65
3	65	\$30.93	\$11.50	\$15.60	\$0.00	\$58.03
4	70	\$33.31	\$11.50	\$15.60	\$0.00	\$60.41
5	75	\$35.69	\$11.50	\$15.60	\$0.00	\$62.79
6	80	\$38.06	\$11.50	\$15.60	\$0.00	\$65.16
7	85	\$40.44	\$11.50	\$15.60	\$0.00	\$67.54
8	90	\$42.82	\$11.50	\$15.60	\$0.00	\$69.92

Effective Date - 06/01/2019

Step	percent	Apprentice Base Wage	Health	Pension	Supplemental Unemployment	Total Rate
1	55	\$26.77	\$11.50	\$0.00	\$0.00	\$38.27
2	60	\$29.21	\$11.50	\$15.60	\$0.00	\$56.31
3	65	\$31.64	\$11.50	\$15.60	\$0.00	\$58.74
4	70	\$34.08	\$11.50	\$15.60	\$0.00	\$61.18
5	75	\$36.51	\$11.50	\$15.60	\$0.00	\$63.61
6	80	\$38.94	\$11.50	\$15.60	\$0.00	\$66.04
7	85	\$41.38	\$11.50	\$15.60	\$0.00	\$68.48
8	90	\$43.81	\$11.50	\$15.60	\$0.00	\$70.91

Notes:

Apprentice to Journeyworker Ratio:1:6

HVAC (DUCTWORK) SHEETMETAL WORKERS LOCAL 17 - B	10/01/2018	\$35.21	\$12.20	\$16.55	\$1.92	\$65.88
	04/01/2019	\$35.71	\$12.20	\$16.55	\$1.92	\$66.38

For apprentice rates see "Apprentice- SHEET METAL WORKER"

HVAC (ELECTRICAL CONTROLS) ELECTRICIANS LOCAL 223	03/01/2019	\$41.64	\$9.90	\$13.15	\$0.00	\$64.69
	09/01/2019	\$42.26	\$10.15	\$13.54	\$0.00	\$65.95
	03/01/2020	\$42.87	\$10.40	\$13.94	\$0.00	\$67.21

For apprentice rates see "Apprentice- ELECTRICIAN"

HVAC (TESTING AND BALANCING - AIR) SHEETMETAL WORKERS LOCAL 17 - B	10/01/2018	\$35.21	\$12.20	\$16.55	\$1.92	\$65.88
	04/01/2019	\$35.71	\$12.20	\$16.55	\$1.92	\$66.38

For apprentice rates see "Apprentice- SHEET METAL WORKER"

HVAC (TESTING AND BALANCING -WATER) PLUMBERS & PIPEFITTERS LOCAL 51	09/01/2018	\$42.04	\$10.00	\$18.20	\$0.00	\$70.24
--	------------	---------	---------	---------	--------	---------

For apprentice rates see "Apprentice- PIPEFITTER" or "PLUMBER/PIPEFITTER"

HVAC MECHANIC PLUMBERS & PIPEFITTERS LOCAL 51	09/01/2018	\$42.04	\$10.00	\$18.20	\$0.00	\$70.24
--	------------	---------	---------	---------	--------	---------

For apprentice rates see "Apprentice- PIPEFITTER" or "PLUMBER/PIPEFITTER"

Classification	Effective Date	Base Wage	Health	Pension	Supplemental Unemployment	Total Rate
HYDRAULIC DRILLS <i>LABORERS - ZONE 2</i>	12/01/2018	\$34.27	\$7.85	\$14.44	\$0.00	\$56.56
	06/01/2019	\$35.14	\$7.85	\$14.44	\$0.00	\$57.43
	12/01/2019	\$36.00	\$7.85	\$14.44	\$0.00	\$58.29
	06/01/2020	\$36.89	\$7.85	\$14.44	\$0.00	\$59.18
	12/01/2020	\$37.78	\$7.85	\$14.44	\$0.00	\$60.07
	06/01/2021	\$38.70	\$7.85	\$14.44	\$0.00	\$60.99
	12/01/2021	\$39.61	\$7.85	\$14.44	\$0.00	\$61.90
For apprentice rates see "Apprentice- LABORER"						
INSULATOR (PIPES & TANKS) <i>HEAT & FROST INSULATORS LOCAL 6 (BOSTON)</i>	09/01/2018	\$47.09	\$12.50	\$15.60	\$0.00	\$75.19
	09/01/2019	\$49.59	\$12.50	\$15.60	\$0.00	\$77.69

Apprentice - ASBESTOS INSULATOR (Pipes & Tanks) - Local 6 Boston

Effective Date - 09/01/2018

Step	percent	Apprentice Base Wage	Health	Pension	Supplemental Unemployment	Total Rate
1	50	\$23.55	\$12.50	\$11.40	\$0.00	\$47.45
2	60	\$28.25	\$12.50	\$12.24	\$0.00	\$52.99
3	70	\$32.96	\$12.50	\$13.08	\$0.00	\$58.54
4	80	\$37.67	\$12.50	\$13.92	\$0.00	\$64.09

Effective Date - 09/01/2019

Step	percent	Apprentice Base Wage	Health	Pension	Supplemental Unemployment	Total Rate
1	50	\$24.80	\$12.50	\$11.40	\$0.00	\$48.70
2	60	\$29.75	\$12.50	\$12.24	\$0.00	\$54.49
3	70	\$34.71	\$12.50	\$13.08	\$0.00	\$60.29
4	80	\$39.67	\$12.50	\$13.92	\$0.00	\$66.09

Notes:

Steps are 1 year

Apprentice to Journeyworker Ratio:1:4

IRONWORKER/WELDER <i>IRONWORKERS LOCAL 37</i>	09/16/2018	\$37.91	\$7.70	\$17.10	\$0.00	\$62.71
	03/16/2019	\$38.81	\$7.70	\$17.10	\$0.00	\$63.61
	09/16/2019	\$39.71	\$7.70	\$17.10	\$0.00	\$64.51
	03/16/2020	\$40.61	\$7.70	\$17.10	\$0.00	\$65.41
	09/16/2020	\$41.51	\$7.70	\$17.10	\$0.00	\$66.31
	03/16/2021	\$42.46	\$7.70	\$17.10	\$0.00	\$67.26

Classification

Effective Date Base Wage Health Pension Supplemental Unemployment Total Rate

Apprentice - IRONWORKER - Local 37

Effective Date - 09/16/2018

Step	percent	Apprentice Base Wage	Health	Pension	Supplemental Unemployment	Total Rate
1	70	\$26.54	\$7.70	\$17.10	\$0.00	\$51.34
2	75	\$28.43	\$7.70	\$17.10	\$0.00	\$53.23
3	80	\$30.33	\$7.70	\$17.10	\$0.00	\$55.13
4	85	\$32.22	\$7.70	\$17.10	\$0.00	\$57.02
5	90	\$34.12	\$7.70	\$17.10	\$0.00	\$58.92
6	95	\$36.01	\$7.70	\$17.10	\$0.00	\$60.81

Effective Date - 03/16/2019

Step	percent	Apprentice Base Wage	Health	Pension	Supplemental Unemployment	Total Rate
1	70	\$27.17	\$7.70	\$17.10	\$0.00	\$51.97
2	75	\$29.11	\$7.70	\$17.10	\$0.00	\$53.91
3	80	\$31.05	\$7.70	\$17.10	\$0.00	\$55.85
4	85	\$32.99	\$7.70	\$17.10	\$0.00	\$57.79
5	90	\$34.93	\$7.70	\$17.10	\$0.00	\$59.73
6	95	\$36.87	\$7.70	\$17.10	\$0.00	\$61.67

Notes:

Apprentice to Journeyworker Ratio:1:4

JACKHAMMER & PAVING BREAKER OPERATOR <i>LABORERS - ZONE 2</i>	12/01/2018	\$33.77	\$7.85	\$14.44	\$0.00	\$56.06
	06/01/2019	\$34.64	\$7.85	\$14.44	\$0.00	\$56.93
	12/01/2019	\$35.50	\$7.85	\$14.44	\$0.00	\$57.79
	06/01/2020	\$36.39	\$7.85	\$14.44	\$0.00	\$58.68
	12/01/2020	\$37.28	\$7.85	\$14.44	\$0.00	\$59.57
	06/01/2021	\$38.20	\$7.85	\$14.44	\$0.00	\$60.49
	12/01/2021	\$39.11	\$7.85	\$14.44	\$0.00	\$61.40

For apprentice rates see "Apprentice- LABORER"

LABORER <i>LABORERS - ZONE 2</i>	12/01/2018	\$33.52	\$7.85	\$14.44	\$0.00	\$55.81
	06/01/2019	\$34.39	\$7.85	\$14.44	\$0.00	\$56.68
	12/01/2019	\$35.25	\$7.85	\$14.44	\$0.00	\$57.54
	06/01/2020	\$36.14	\$7.85	\$14.44	\$0.00	\$58.43
	12/01/2020	\$37.03	\$7.85	\$14.44	\$0.00	\$59.32
	06/01/2021	\$37.95	\$7.85	\$14.44	\$0.00	\$60.24
	12/01/2021	\$38.86	\$7.85	\$14.44	\$0.00	\$61.15

Classification

Effective Date Base Wage Health Pension Supplemental Unemployment Total Rate

Apprentice - LABORER - Zone 2

Effective Date - 12/01/2018

Step	percent	Apprentice Base Wage	Health	Pension	Supplemental Unemployment	Total Rate
1	60	\$20.11	\$7.85	\$14.44	\$0.00	\$42.40
2	70	\$23.46	\$7.85	\$14.44	\$0.00	\$45.75
3	80	\$26.82	\$7.85	\$14.44	\$0.00	\$49.11
4	90	\$30.17	\$7.85	\$14.44	\$0.00	\$52.46

Effective Date - 06/01/2019

Step	percent	Apprentice Base Wage	Health	Pension	Supplemental Unemployment	Total Rate
1	60	\$20.63	\$7.85	\$14.44	\$0.00	\$42.92
2	70	\$24.07	\$7.85	\$14.44	\$0.00	\$46.36
3	80	\$27.51	\$7.85	\$14.44	\$0.00	\$49.80
4	90	\$30.95	\$7.85	\$14.44	\$0.00	\$53.24

Notes:

Apprentice to Journeyworker Ratio:1:5

LABORER: CARPENTER TENDER LABORERS - ZONE 2	12/01/2018	\$33.52	\$7.85	\$14.44	\$0.00	\$55.81
	06/01/2019	\$34.39	\$7.85	\$14.44	\$0.00	\$56.68
	12/01/2019	\$35.25	\$7.85	\$14.44	\$0.00	\$57.54
	06/01/2020	\$36.14	\$7.85	\$14.44	\$0.00	\$58.43
	12/01/2020	\$37.03	\$7.85	\$14.44	\$0.00	\$59.32
	06/01/2021	\$37.95	\$7.85	\$14.44	\$0.00	\$60.24
	12/01/2021	\$38.86	\$7.85	\$14.44	\$0.00	\$61.15

For apprentice rates see "Apprentice- LABORER"

LABORER: CEMENT FINISHER TENDER LABORERS - ZONE 2	12/01/2018	\$33.52	\$7.85	\$14.44	\$0.00	\$55.81
	06/01/2019	\$34.39	\$7.85	\$14.44	\$0.00	\$56.68
	12/01/2019	\$35.25	\$7.85	\$14.44	\$0.00	\$57.54
	06/01/2020	\$36.14	\$7.85	\$14.44	\$0.00	\$58.43
	12/01/2020	\$37.03	\$7.85	\$14.44	\$0.00	\$59.32
	06/01/2021	\$37.95	\$7.85	\$14.44	\$0.00	\$60.24
	12/01/2021	\$38.86	\$7.85	\$14.44	\$0.00	\$61.15

For apprentice rates see "Apprentice- LABORER"

LABORER: HAZARDOUS WASTE/ASBESTOS REMOVER LABORERS - ZONE 2	12/01/2018	\$33.72	\$7.85	\$14.39	\$0.00	\$55.96
	06/01/2019	\$34.59	\$7.85	\$14.39	\$0.00	\$56.83
	12/01/2019	\$35.45	\$7.85	\$14.39	\$0.00	\$57.69

For apprentice rates see "Apprentice- LABORER"

Classification	Effective Date	Base Wage	Health	Pension	Supplemental Unemployment	Total Rate
LABORER: MASON TENDER <i>LABORERS - ZONE 2</i>	12/01/2018	\$33.77	\$7.85	\$14.44	\$0.00	\$56.06
	06/01/2019	\$34.64	\$7.85	\$14.44	\$0.00	\$56.93
	12/01/2019	\$35.50	\$7.85	\$14.44	\$0.00	\$57.79
	06/01/2020	\$36.39	\$7.85	\$14.44	\$0.00	\$58.68
	12/01/2020	\$37.28	\$7.85	\$14.44	\$0.00	\$59.57
	06/01/2021	\$38.20	\$7.85	\$14.44	\$0.00	\$60.49
	12/01/2021	\$39.11	\$7.85	\$14.44	\$0.00	\$61.40
For apprentice rates see "Apprentice- LABORER"						
LABORER: MULTI-TRADE TENDER <i>LABORERS - ZONE 2</i>	12/01/2018	\$33.52	\$7.85	\$14.44	\$0.00	\$55.81
	06/01/2019	\$34.39	\$7.85	\$14.44	\$0.00	\$56.68
	12/01/2019	\$35.25	\$7.85	\$14.44	\$0.00	\$57.54
	06/01/2020	\$36.14	\$7.85	\$14.44	\$0.00	\$58.43
	12/01/2020	\$37.03	\$7.85	\$14.44	\$0.00	\$59.32
	06/01/2021	\$37.95	\$7.85	\$14.44	\$0.00	\$60.24
	12/01/2021	\$38.86	\$7.85	\$14.44	\$0.00	\$61.15
For apprentice rates see "Apprentice- LABORER"						
LABORER: TREE REMOVER <i>LABORERS - ZONE 2</i>	12/01/2018	\$33.52	\$7.85	\$14.44	\$0.00	\$55.81
	06/01/2019	\$34.39	\$7.85	\$14.44	\$0.00	\$56.68
	12/01/2019	\$35.25	\$7.85	\$14.44	\$0.00	\$57.54
	06/01/2020	\$36.14	\$7.85	\$14.44	\$0.00	\$58.43
	12/01/2020	\$37.03	\$7.85	\$14.44	\$0.00	\$59.32
	06/01/2021	\$37.95	\$7.85	\$14.44	\$0.00	\$60.24
	12/01/2021	\$38.86	\$7.85	\$14.44	\$0.00	\$61.15
This classification applies to all tree work associated with the removal of standing trees, and trimming and removal of branches and limbs when the work is not done for a utility company for the purpose of operation, maintenance or repair of utility company equipment. For apprentice rates see "Apprentice- LABORER"						
LASER BEAM OPERATOR <i>LABORERS - ZONE 2</i>	12/01/2018	\$33.77	\$7.85	\$14.44	\$0.00	\$56.06
	06/01/2019	\$34.64	\$7.85	\$14.44	\$0.00	\$56.93
	12/01/2019	\$35.50	\$7.85	\$14.44	\$0.00	\$57.79
	06/01/2020	\$36.39	\$7.85	\$14.44	\$0.00	\$58.68
	12/01/2020	\$37.28	\$7.85	\$14.44	\$0.00	\$59.57
	06/01/2021	\$38.20	\$7.85	\$14.44	\$0.00	\$60.49
	12/01/2021	\$39.11	\$7.85	\$14.44	\$0.00	\$61.40
For apprentice rates see "Apprentice- LABORER"						
MARBLE & TILE FINISHERS <i>BRICKLAYERS LOCAL 3 - MARBLE & TILE</i>	02/01/2019	\$40.91	\$10.75	\$18.97	\$0.00	\$70.63
	08/01/2019	\$41.99	\$10.75	\$19.11	\$0.00	\$71.85
	02/01/2020	\$42.50	\$10.75	\$19.11	\$0.00	\$72.36
	08/01/2020	\$43.58	\$10.75	\$19.26	\$0.00	\$73.59
	02/01/2021	\$44.09	\$10.75	\$19.26	\$0.00	\$74.10
	08/01/2021	\$45.21	\$10.75	\$19.42	\$0.00	\$75.38
	02/01/2022	\$45.68	\$10.75	\$19.42	\$0.00	\$75.85

Classification

Effective Date Base Wage Health Pension Supplemental Unemployment Total Rate

Apprentice - MARBLE & TILE FINISHER - Local 3 Marble & Tile

Effective Date - 02/01/2019

Step	percent	Apprentice Base Wage	Health	Pension	Supplemental Unemployment	Total Rate
1	50	\$20.46	\$10.75	\$18.97	\$0.00	\$50.18
2	60	\$24.55	\$10.75	\$18.97	\$0.00	\$54.27
3	70	\$28.64	\$10.75	\$18.97	\$0.00	\$58.36
4	80	\$32.73	\$10.75	\$18.97	\$0.00	\$62.45
5	90	\$36.82	\$10.75	\$18.97	\$0.00	\$66.54

Effective Date - 08/01/2019

Step	percent	Apprentice Base Wage	Health	Pension	Supplemental Unemployment	Total Rate
1	50	\$21.00	\$10.75	\$19.11	\$0.00	\$50.86
2	60	\$25.19	\$10.75	\$19.11	\$0.00	\$55.05
3	70	\$29.39	\$10.75	\$19.11	\$0.00	\$59.25
4	80	\$33.59	\$10.75	\$19.11	\$0.00	\$63.45
5	90	\$37.79	\$10.75	\$19.11	\$0.00	\$67.65

Notes:

Apprentice to Journeyworker Ratio:1:3

MARBLE MASONS, TILELAYERS & TERRAZZO MECH	02/01/2019	\$53.57	\$10.75	\$20.66	\$0.00	\$84.98
BRICKLAYERS LOCAL 3 - MARBLE & TILE	08/01/2019	\$54.92	\$10.75	\$20.80	\$0.00	\$86.47
	02/01/2020	\$55.55	\$10.75	\$20.80	\$0.00	\$87.10
	08/01/2020	\$56.90	\$10.75	\$20.95	\$0.00	\$88.60
	02/01/2021	\$57.54	\$10.75	\$20.95	\$0.00	\$89.24
	08/01/2021	\$58.94	\$10.75	\$21.11	\$0.00	\$90.80
	02/01/2022	\$59.51	\$10.75	\$21.11	\$0.00	\$91.37

Classification

Effective Date Base Wage Health Pension Supplemental Unemployment Total Rate

Apprentice - MARBLE-TILE-TERRAZZO MECHANIC - Local 3 Marble & Tile

Effective Date - 02/01/2019

Step	percent	Apprentice Base Wage	Health	Pension	Supplemental Unemployment	Total Rate
1	50	\$26.79	\$10.75	\$20.66	\$0.00	\$58.20
2	60	\$32.14	\$10.75	\$20.66	\$0.00	\$63.55
3	70	\$37.50	\$10.75	\$20.66	\$0.00	\$68.91
4	80	\$42.86	\$10.75	\$20.66	\$0.00	\$74.27
5	90	\$48.21	\$10.75	\$20.66	\$0.00	\$79.62

Effective Date - 08/01/2019

Step	percent	Apprentice Base Wage	Health	Pension	Supplemental Unemployment	Total Rate
1	50	\$27.46	\$10.75	\$20.80	\$0.00	\$59.01
2	60	\$32.95	\$10.75	\$20.80	\$0.00	\$64.50
3	70	\$38.44	\$10.75	\$20.80	\$0.00	\$69.99
4	80	\$43.94	\$10.75	\$20.80	\$0.00	\$75.49
5	90	\$49.43	\$10.75	\$20.80	\$0.00	\$80.98

Notes:

Apprentice to Journeyworker Ratio:1:5

MECH. SWEEPER OPERATOR (ON CONST. SITES) <i>OPERATING ENGINEERS LOCAL 4</i>	12/01/2018	\$47.10	\$11.50	\$15.60	\$0.00	\$74.20
	06/01/2019	\$48.19	\$11.50	\$15.60	\$0.00	\$75.29
	12/01/2019	\$49.33	\$11.50	\$15.60	\$0.00	\$76.43
	06/01/2020	\$50.41	\$11.50	\$15.60	\$0.00	\$77.51
	12/01/2020	\$51.55	\$11.50	\$15.60	\$0.00	\$78.65
	06/01/2021	\$52.64	\$11.50	\$15.60	\$0.00	\$79.74
	12/01/2021	\$53.78	\$11.50	\$15.60	\$0.00	\$80.88

For apprentice rates see "Apprentice- OPERATING ENGINEERS"

MECHANICS MAINTENANCE <i>OPERATING ENGINEERS LOCAL 4</i>	12/01/2018	\$47.10	\$11.50	\$15.60	\$0.00	\$74.20
	06/01/2019	\$48.19	\$11.50	\$15.60	\$0.00	\$75.29
	12/01/2019	\$49.33	\$11.50	\$15.60	\$0.00	\$76.43
	06/01/2020	\$50.41	\$11.50	\$15.60	\$0.00	\$77.51
	12/01/2020	\$51.55	\$11.50	\$15.60	\$0.00	\$78.65
	06/01/2021	\$52.64	\$11.50	\$15.60	\$0.00	\$79.74
	12/01/2021	\$53.78	\$11.50	\$15.60	\$0.00	\$80.88

For apprentice rates see "Apprentice- OPERATING ENGINEERS"

MILLWRIGHT (Zone 2) <i>MILLWRIGHTS LOCAL 1121 - Zone 2</i>	10/01/2018	\$38.02	\$9.90	\$18.50	\$0.00	\$66.42
	04/01/2019	\$38.87	\$9.90	\$18.50	\$0.00	\$67.27

Classification

Effective Date Base Wage Health Pension Supplemental Unemployment Total Rate

Apprentice - MILLWRIGHT - Local 1121 Zone 2

Effective Date - 10/01/2018

Step	percent	Apprentice Base Wage	Health	Pension	Supplemental Unemployment	Total Rate
1	55	\$20.91	\$9.90	\$5.31	\$0.00	\$36.12
2	65	\$24.71	\$9.90	\$15.13	\$0.00	\$49.74
3	75	\$28.52	\$9.90	\$16.10	\$0.00	\$54.52
4	85	\$32.32	\$9.90	\$17.06	\$0.00	\$59.28

Effective Date - 04/01/2019

Step	percent	Apprentice Base Wage	Health	Pension	Supplemental Unemployment	Total Rate
1	55	\$21.38	\$9.90	\$5.31	\$0.00	\$36.59
2	65	\$25.27	\$9.90	\$15.13	\$0.00	\$50.30
3	75	\$29.15	\$9.90	\$16.10	\$0.00	\$55.15
4	85	\$33.04	\$9.90	\$17.06	\$0.00	\$60.00

Notes:

Steps are 2,000 hours

Apprentice to Journeyworker Ratio:1:5

MORTAR MIXER LABORERS - ZONE 2	12/01/2018	\$33.77	\$7.85	\$14.44	\$0.00	\$56.06
	06/01/2019	\$34.64	\$7.85	\$14.44	\$0.00	\$56.93
	12/01/2019	\$35.50	\$7.85	\$14.44	\$0.00	\$57.79
	06/01/2020	\$36.39	\$7.85	\$14.44	\$0.00	\$58.68
	12/01/2020	\$37.28	\$7.85	\$14.44	\$0.00	\$59.57
	06/01/2021	\$38.20	\$7.85	\$14.44	\$0.00	\$60.49
	12/01/2021	\$39.11	\$7.85	\$14.44	\$0.00	\$61.40

For apprentice rates see "Apprentice- LABORER"

OILER (OTHER THAN TRUCK CRANES, GRADALLS) OPERATING ENGINEERS LOCAL 4	12/01/2018	\$23.06	\$11.50	\$15.60	\$0.00	\$50.16
	06/01/2019	\$23.61	\$11.50	\$15.60	\$0.00	\$50.71
	12/01/2019	\$24.18	\$11.50	\$15.60	\$0.00	\$51.28
	06/01/2020	\$24.73	\$11.50	\$15.60	\$0.00	\$51.83
	12/01/2020	\$25.30	\$11.50	\$15.60	\$0.00	\$52.40
	06/01/2021	\$25.85	\$11.50	\$15.60	\$0.00	\$52.95
	12/01/2021	\$26.43	\$11.50	\$15.60	\$0.00	\$53.53

For apprentice rates see "Apprentice- OPERATING ENGINEERS"

OILER (TRUCK CRANES, GRADALLS) OPERATING ENGINEERS LOCAL 4	12/01/2018	\$27.42	\$11.50	\$15.60	\$0.00	\$54.52
	06/01/2019	\$28.07	\$11.50	\$15.60	\$0.00	\$55.17
	12/01/2019	\$28.74	\$11.50	\$15.60	\$0.00	\$55.84
	06/01/2020	\$29.39	\$11.50	\$15.60	\$0.00	\$56.49
	12/01/2020	\$30.07	\$11.50	\$15.60	\$0.00	\$57.17
	06/01/2021	\$30.71	\$11.50	\$15.60	\$0.00	\$57.81
	12/01/2021	\$31.39	\$11.50	\$15.60	\$0.00	\$58.49

For apprentice rates see "Apprentice- OPERATING ENGINEERS"

Classification	Effective Date	Base Wage	Health	Pension	Supplemental Unemployment	Total Rate
OTHER POWER DRIVEN EQUIPMENT - CLASS II <i>OPERATING ENGINEERS LOCAL 4</i>	12/01/2018	\$47.10	\$11.50	\$15.60	\$0.00	\$74.20
	06/01/2019	\$48.19	\$11.50	\$15.60	\$0.00	\$75.29
	12/01/2019	\$49.33	\$11.50	\$15.60	\$0.00	\$76.43
	06/01/2020	\$50.41	\$11.50	\$15.60	\$0.00	\$77.51
	12/01/2020	\$51.55	\$11.50	\$15.60	\$0.00	\$78.65
	06/01/2021	\$52.64	\$11.50	\$15.60	\$0.00	\$79.74
	12/01/2021	\$53.78	\$11.50	\$15.60	\$0.00	\$80.88

For apprentice rates see "Apprentice- OPERATING ENGINEERS"

PAINTER (BRIDGES/TANKS) <i>PAINTERS LOCAL 35 - ZONE 2</i>	01/01/2019	\$50.36	\$8.15	\$20.85	\$0.00	\$79.36
	07/01/2019	\$51.46	\$8.15	\$20.85	\$0.00	\$80.46
	01/01/2020	\$52.56	\$8.15	\$20.85	\$0.00	\$81.56
	07/01/2020	\$53.66	\$8.15	\$20.85	\$0.00	\$82.66
	01/01/2021	\$54.76	\$8.15	\$20.85	\$0.00	\$83.76

Apprentice - PAINTER Local 35 - BRIDGES/TANKS

Effective Date - 01/01/2019

Step	percent	Apprentice Base Wage	Health	Pension	Supplemental Unemployment	Total Rate
1	50	\$25.18	\$8.15	\$0.00	\$0.00	\$33.33
2	55	\$27.70	\$8.15	\$5.64	\$0.00	\$41.49
3	60	\$30.22	\$8.15	\$6.15	\$0.00	\$44.52
4	65	\$32.73	\$8.15	\$6.66	\$0.00	\$47.54
5	70	\$35.25	\$8.15	\$17.78	\$0.00	\$61.18
6	75	\$37.77	\$8.15	\$18.29	\$0.00	\$64.21
7	80	\$40.29	\$8.15	\$18.80	\$0.00	\$67.24
8	90	\$45.32	\$8.15	\$19.83	\$0.00	\$73.30

Effective Date - 07/01/2019

Step	percent	Apprentice Base Wage	Health	Pension	Supplemental Unemployment	Total Rate
1	50	\$25.73	\$8.15	\$0.00	\$0.00	\$33.88
2	55	\$28.30	\$8.15	\$5.64	\$0.00	\$42.09
3	60	\$30.88	\$8.15	\$6.15	\$0.00	\$45.18
4	65	\$33.45	\$8.15	\$6.66	\$0.00	\$48.26
5	70	\$36.02	\$8.15	\$17.78	\$0.00	\$61.95
6	75	\$38.60	\$8.15	\$18.29	\$0.00	\$65.04
7	80	\$41.17	\$8.15	\$18.80	\$0.00	\$68.12
8	90	\$46.31	\$8.15	\$19.83	\$0.00	\$74.29

Notes:

Steps are 750 hrs.

Apprentice to Journeyworker Ratio:1:1

PAINTER (SPRAY OR SANDBLAST, NEW) * * If 30% or more of surfaces to be painted are new construction, NEW paint rate shall be used. <i>PAINTERS LOCAL 35 - ZONE 2</i>	01/01/2019	\$41.26	\$8.15	\$20.85	\$0.00	\$70.26
	07/01/2019	\$42.36	\$8.15	\$20.85	\$0.00	\$71.36
	01/01/2020	\$43.46	\$8.15	\$20.85	\$0.00	\$72.46
	07/01/2020	\$44.56	\$8.15	\$20.85	\$0.00	\$73.56
	01/01/2021	\$45.66	\$8.15	\$20.85	\$0.00	\$74.66

Apprentice - PAINTER Local 35 Zone 2 - Spray/Sandblast - New

Effective Date - 01/01/2019

Step	percent	Apprentice Base Wage	Health	Pension	Supplemental Unemployment	Total Rate
1	50	\$20.63	\$8.15	\$0.00	\$0.00	\$28.78
2	55	\$22.69	\$8.15	\$5.64	\$0.00	\$36.48
3	60	\$24.76	\$8.15	\$6.15	\$0.00	\$39.06
4	65	\$26.82	\$8.15	\$6.66	\$0.00	\$41.63
5	70	\$28.88	\$8.15	\$17.78	\$0.00	\$54.81
6	75	\$30.95	\$8.15	\$18.29	\$0.00	\$57.39
7	80	\$33.01	\$8.15	\$18.80	\$0.00	\$59.96
8	90	\$37.13	\$8.15	\$19.83	\$0.00	\$65.11

Effective Date - 07/01/2019

Step	percent	Apprentice Base Wage	Health	Pension	Supplemental Unemployment	Total Rate
1	50	\$21.18	\$8.15	\$0.00	\$0.00	\$29.33
2	55	\$23.30	\$8.15	\$5.64	\$0.00	\$37.09
3	60	\$25.42	\$8.15	\$6.15	\$0.00	\$39.72
4	65	\$27.53	\$8.15	\$6.66	\$0.00	\$42.34
5	70	\$29.65	\$8.15	\$17.78	\$0.00	\$55.58
6	75	\$31.77	\$8.15	\$18.29	\$0.00	\$58.21
7	80	\$33.89	\$8.15	\$18.80	\$0.00	\$60.84
8	90	\$38.12	\$8.15	\$19.83	\$0.00	\$66.10

Notes:

Steps are 750 hrs.

Apprentice to Journeyworker Ratio:1:1

PAINTER (SPRAY OR SANDBLAST, REPAINT)	01/01/2019	\$39.32	\$8.15	\$20.85	\$0.00	\$68.32
PAINTERS LOCAL 35 - ZONE 2	07/01/2019	\$40.42	\$8.15	\$20.85	\$0.00	\$69.42
	01/01/2020	\$41.52	\$8.15	\$20.85	\$0.00	\$70.52
	07/01/2020	\$42.62	\$8.15	\$20.85	\$0.00	\$71.62
	01/01/2021	\$43.72	\$8.15	\$20.85	\$0.00	\$72.72

Classification

Effective Date Base Wage Health Pension Supplemental Unemployment Total Rate

Apprentice - PAINTER Local 35 Zone 2 - Spray/Sandblast - Repaint

Effective Date - 01/01/2019

Step	percent	Apprentice Base Wage	Health	Pension	Supplemental Unemployment	Total Rate
1	50	\$19.66	\$8.15	\$0.00	\$0.00	\$27.81
2	55	\$21.63	\$8.15	\$5.64	\$0.00	\$35.42
3	60	\$23.59	\$8.15	\$6.15	\$0.00	\$37.89
4	65	\$25.56	\$8.15	\$6.66	\$0.00	\$40.37
5	70	\$27.52	\$8.15	\$17.78	\$0.00	\$53.45
6	75	\$29.49	\$8.15	\$18.29	\$0.00	\$55.93
7	80	\$31.46	\$8.15	\$18.80	\$0.00	\$58.41
8	90	\$35.39	\$8.15	\$19.83	\$0.00	\$63.37

Effective Date - 07/01/2019

Step	percent	Apprentice Base Wage	Health	Pension	Supplemental Unemployment	Total Rate
1	50	\$20.21	\$8.15	\$0.00	\$0.00	\$28.36
2	55	\$22.23	\$8.15	\$5.64	\$0.00	\$36.02
3	60	\$24.25	\$8.15	\$6.15	\$0.00	\$38.55
4	65	\$26.27	\$8.15	\$6.66	\$0.00	\$41.08
5	70	\$28.29	\$8.15	\$17.78	\$0.00	\$54.22
6	75	\$30.32	\$8.15	\$18.29	\$0.00	\$56.76
7	80	\$32.34	\$8.15	\$18.80	\$0.00	\$59.29
8	90	\$36.38	\$8.15	\$19.83	\$0.00	\$64.36

Notes:

Steps are 750 hrs.

Apprentice to Journeyworker Ratio:1:1

PAINTER (TRAFFIC MARKINGS)	12/01/2018	\$33.52	\$7.85	\$14.44	\$0.00	\$55.81
LABORERS - ZONE 2	06/01/2019	\$34.39	\$7.85	\$14.44	\$0.00	\$56.68
	12/01/2019	\$35.25	\$7.85	\$14.44	\$0.00	\$57.54
	06/01/2020	\$36.14	\$7.85	\$14.44	\$0.00	\$58.43
	12/01/2020	\$37.03	\$7.85	\$14.44	\$0.00	\$59.32
	06/01/2021	\$37.95	\$7.85	\$14.44	\$0.00	\$60.24
	12/01/2021	\$38.86	\$7.85	\$14.44	\$0.00	\$61.15

For Apprentice rates see "Apprentice- LABORER"

PAINTER / TAPER (BRUSH, NEW) *	01/01/2019	\$39.86	\$8.15	\$20.85	\$0.00	\$68.86
* If 30% or more of surfaces to be painted are new construction, NEW paint rate shall be used. PAINTERS LOCAL 35 - ZONE 2	07/01/2019	\$40.96	\$8.15	\$20.85	\$0.00	\$69.96
	01/01/2020	\$42.06	\$8.15	\$20.85	\$0.00	\$71.06
	07/01/2020	\$43.16	\$8.15	\$20.85	\$0.00	\$72.16
	01/01/2021	\$44.25	\$8.15	\$20.85	\$0.00	\$73.25

Apprentice - PAINTER - Local 35 Zone 2 - BRUSH NEW

Effective Date - 01/01/2019

Step	percent	Apprentice Base Wage	Health	Pension	Supplemental Unemployment	Total Rate
1	50	\$19.93	\$8.15	\$0.00	\$0.00	\$28.08
2	55	\$21.92	\$8.15	\$5.64	\$0.00	\$35.71
3	60	\$23.92	\$8.15	\$6.15	\$0.00	\$38.22
4	65	\$25.91	\$8.15	\$6.66	\$0.00	\$40.72
5	70	\$27.90	\$8.15	\$17.78	\$0.00	\$53.83
6	75	\$29.90	\$8.15	\$18.29	\$0.00	\$56.34
7	80	\$31.89	\$8.15	\$18.80	\$0.00	\$58.84
8	90	\$35.87	\$8.15	\$19.83	\$0.00	\$63.85

Effective Date - 07/01/2019

Step	percent	Apprentice Base Wage	Health	Pension	Supplemental Unemployment	Total Rate
1	50	\$20.48	\$8.15	\$0.00	\$0.00	\$28.63
2	55	\$22.53	\$8.15	\$5.64	\$0.00	\$36.32
3	60	\$24.58	\$8.15	\$6.15	\$0.00	\$38.88
4	65	\$26.62	\$8.15	\$6.66	\$0.00	\$41.43
5	70	\$28.67	\$8.15	\$17.78	\$0.00	\$54.60
6	75	\$30.72	\$8.15	\$18.29	\$0.00	\$57.16
7	80	\$32.77	\$8.15	\$18.80	\$0.00	\$59.72
8	90	\$36.86	\$8.15	\$19.83	\$0.00	\$64.84

Notes:

Steps are 750 hrs.

Apprentice to Journeyworker Ratio:1:1

PAINTER / TAPER (BRUSH, REPAINT)	01/01/2019	\$37.92	\$8.15	\$20.85	\$0.00	\$66.92
PAINTERS LOCAL 35 - ZONE 2	07/01/2019	\$39.02	\$8.15	\$20.85	\$0.00	\$68.02
	01/01/2020	\$40.12	\$8.15	\$20.85	\$0.00	\$69.12
	07/01/2020	\$41.22	\$8.15	\$20.85	\$0.00	\$70.22
	01/01/2021	\$42.32	\$8.15	\$20.85	\$0.00	\$71.32

Classification

Effective Date Base Wage Health Pension Supplemental Unemployment Total Rate

Apprentice - PAINTER Local 35 Zone 2 - BRUSH REPAINT

Effective Date - 01/01/2019

Step	percent	Apprentice Base Wage	Health	Pension	Supplemental Unemployment	Total Rate
1	50	\$18.96	\$8.15	\$0.00	\$0.00	\$27.11
2	55	\$20.86	\$8.15	\$5.64	\$0.00	\$34.65
3	60	\$22.75	\$8.15	\$6.15	\$0.00	\$37.05
4	65	\$24.65	\$8.15	\$6.66	\$0.00	\$39.46
5	70	\$26.54	\$8.15	\$17.78	\$0.00	\$52.47
6	75	\$28.44	\$8.15	\$18.29	\$0.00	\$54.88
7	80	\$30.34	\$8.15	\$18.80	\$0.00	\$57.29
8	90	\$34.13	\$8.15	\$19.83	\$0.00	\$62.11

Effective Date - 07/01/2019

Step	percent	Apprentice Base Wage	Health	Pension	Supplemental Unemployment	Total Rate
1	50	\$19.51	\$8.15	\$0.00	\$0.00	\$27.66
2	55	\$21.46	\$8.15	\$5.64	\$0.00	\$35.25
3	60	\$23.41	\$8.15	\$6.15	\$0.00	\$37.71
4	65	\$25.36	\$8.15	\$6.66	\$0.00	\$40.17
5	70	\$27.31	\$8.15	\$17.78	\$0.00	\$53.24
6	75	\$29.27	\$8.15	\$18.29	\$0.00	\$55.71
7	80	\$31.22	\$8.15	\$18.80	\$0.00	\$58.17
8	90	\$35.12	\$8.15	\$19.83	\$0.00	\$63.10

Notes:

Steps are 750 hrs.

Apprentice to Journeyworker Ratio:1:1

PANEL & PICKUP TRUCKS DRIVER TEAMSTERS JOINT COUNCIL NO. 10 ZONE B	12/01/2018	\$33.08	\$11.91	\$12.70	\$0.00	\$57.69
	06/01/2019	\$34.08	\$11.91	\$12.70	\$0.00	\$58.69
	08/01/2019	\$34.08	\$12.41	\$12.70	\$0.00	\$59.19
	12/01/2019	\$34.08	\$12.41	\$13.72	\$0.00	\$60.21
	06/01/2020	\$34.98	\$12.41	\$13.72	\$0.00	\$61.11
	08/01/2020	\$34.98	\$12.91	\$13.72	\$0.00	\$61.61
	12/01/2020	\$34.98	\$12.91	\$14.82	\$0.00	\$62.71
	06/01/2021	\$35.78	\$12.91	\$14.82	\$0.00	\$63.51
	08/01/2021	\$35.78	\$13.41	\$14.82	\$0.00	\$64.01
	12/01/2021	\$35.78	\$13.41	\$16.01	\$0.00	\$65.20
PIER AND DOCK CONSTRUCTOR (UNDERPINNING AND DECK) PILE DRIVER LOCAL 56 (ZONE 2) For apprentice rates see "Apprentice- PILE DRIVER"	08/01/2018	\$42.93	\$9.90	\$21.15	\$0.00	\$73.98
	08/01/2019	\$44.61	\$9.90	\$21.15	\$0.00	\$75.66
PILE DRIVER PILE DRIVER LOCAL 56 (ZONE 2)	08/01/2018	\$42.93	\$9.90	\$21.15	\$0.00	\$73.98
	08/01/2019	\$44.61	\$9.90	\$21.15	\$0.00	\$75.66

Apprentice - PILE DRIVER - Local 56 Zone 2

Effective Date - 08/01/2018

Step	percent	Apprentice Base Wage	Health	Pension	Supplemental Unemployment	Total Rate
1	0	\$0.00	\$0.00	\$0.00	\$0.00	\$0.00

Notes: Apprentice wages shall be no less than the following Steps;
 (Same as set in Zone 1)
 1\$54.34/2\$58.99/3\$63.65/4\$65.98/5\$68.31/6\$68.31/7\$72.96/8\$72.96

Apprentice to Journeyworker Ratio:1:5

PIPELAYER <i>LABORERS - ZONE 2</i>	12/01/2018	\$33.77	\$7.85	\$14.44	\$0.00	\$56.06
	06/01/2019	\$34.64	\$7.85	\$14.44	\$0.00	\$56.93
	12/01/2019	\$35.50	\$7.85	\$14.44	\$0.00	\$57.79
	06/01/2020	\$36.39	\$7.85	\$14.44	\$0.00	\$58.68
	12/01/2020	\$37.28	\$7.85	\$14.44	\$0.00	\$59.57
	06/01/2021	\$38.20	\$7.85	\$14.44	\$0.00	\$60.49
	12/01/2021	\$39.11	\$7.85	\$14.44	\$0.00	\$61.40

For apprentice rates see "Apprentice- LABORER"

PLUMBER & PIPEFITTER <i>PLUMBERS & PIPEFITTERS LOCAL 51</i>	09/01/2018	\$42.04	\$10.00	\$18.20	\$0.00	\$70.24
--	------------	---------	---------	---------	--------	---------

Apprentice - PLUMBER/PIPEFITTER - Local 51

Effective Date - 09/01/2018

Step	percent	Apprentice Base Wage	Health	Pension	Supplemental Unemployment	Total Rate
1	40	\$16.82	\$10.00	\$2.50	\$0.00	\$29.32
2	50	\$21.02	\$10.00	\$2.50	\$0.00	\$33.52
3	60	\$25.22	\$10.00	\$7.85	\$0.00	\$43.07
4	70	\$29.43	\$10.00	\$12.56	\$0.00	\$51.99
5	80	\$33.63	\$10.00	\$15.70	\$0.00	\$59.33

Notes:
 Steps 2000hrs. Prior 9/1/05; 40/40/45/50/55/60/65/75/80/85

Apprentice to Journeyworker Ratio:1:3

PNEUMATIC CONTROLS (TEMP.) <i>PLUMBERS & PIPEFITTERS LOCAL 51</i>	09/01/2018	\$42.04	\$10.00	\$18.20	\$0.00	\$70.24
--	------------	---------	---------	---------	--------	---------

For apprentice rates see "Apprentice- PIPEFITTER" or "PLUMBER/PIPEFITTER"

PNEUMATIC DRILL/TOOL OPERATOR <i>LABORERS - ZONE 2</i>	12/01/2018	\$33.77	\$7.85	\$14.44	\$0.00	\$56.06
	06/01/2019	\$34.64	\$7.85	\$14.44	\$0.00	\$56.93
	12/01/2019	\$35.50	\$7.85	\$14.44	\$0.00	\$57.79
	06/01/2020	\$36.39	\$7.85	\$14.44	\$0.00	\$58.68
	12/01/2020	\$37.28	\$7.85	\$14.44	\$0.00	\$59.57
	06/01/2021	\$38.20	\$7.85	\$14.44	\$0.00	\$60.49
	12/01/2021	\$39.11	\$7.85	\$14.44	\$0.00	\$61.40

For apprentice rates see "Apprentice- LABORER"

Classification	Effective Date	Base Wage	Health	Pension	Supplemental Unemployment	Total Rate
POWDERMAN & BLASTER <i>LABORERS - ZONE 2</i>	12/01/2018	\$34.52	\$7.85	\$14.44	\$0.00	\$56.81
	06/01/2019	\$35.39	\$7.85	\$14.44	\$0.00	\$57.68
	12/01/2019	\$36.25	\$7.85	\$14.44	\$0.00	\$58.54
	06/01/2020	\$37.14	\$7.85	\$14.44	\$0.00	\$59.43
	12/01/2020	\$38.03	\$7.85	\$14.44	\$0.00	\$60.32
	06/01/2021	\$38.95	\$7.85	\$14.44	\$0.00	\$61.24
	12/01/2021	\$39.86	\$7.85	\$14.44	\$0.00	\$62.15
For apprentice rates see "Apprentice- LABORER"						
POWER SHOVEL/DERRICK/TRENCHING MACHINE <i>OPERATING ENGINEERS LOCAL 4</i>	12/01/2018	\$47.58	\$11.50	\$15.60	\$0.00	\$74.68
	06/01/2019	\$48.68	\$11.50	\$15.60	\$0.00	\$75.78
	12/01/2019	\$49.83	\$11.50	\$15.60	\$0.00	\$76.93
	06/01/2020	\$50.93	\$11.50	\$15.60	\$0.00	\$78.03
	12/01/2020	\$52.08	\$11.50	\$15.60	\$0.00	\$79.18
	06/01/2021	\$53.18	\$11.50	\$15.60	\$0.00	\$80.28
	12/01/2021	\$54.33	\$11.50	\$15.60	\$0.00	\$81.43
For apprentice rates see "Apprentice- OPERATING ENGINEERS"						
PUMP OPERATOR (CONCRETE) <i>OPERATING ENGINEERS LOCAL 4</i>	12/01/2018	\$47.58	\$11.50	\$15.60	\$0.00	\$74.68
	06/01/2019	\$48.68	\$11.50	\$15.60	\$0.00	\$75.78
	12/01/2019	\$49.83	\$11.50	\$15.60	\$0.00	\$76.93
	06/01/2020	\$50.93	\$11.50	\$15.60	\$0.00	\$78.03
	12/01/2020	\$52.08	\$11.50	\$15.60	\$0.00	\$79.18
	06/01/2021	\$53.18	\$11.50	\$15.60	\$0.00	\$80.28
	12/01/2021	\$54.33	\$11.50	\$15.60	\$0.00	\$81.43
For apprentice rates see "Apprentice- OPERATING ENGINEERS"						
PUMP OPERATOR (DEWATERING, OTHER) <i>OPERATING ENGINEERS LOCAL 4</i>	12/01/2018	\$32.03	\$11.50	\$15.60	\$0.00	\$59.13
	06/01/2019	\$32.78	\$11.50	\$15.60	\$0.00	\$59.88
	12/01/2019	\$33.57	\$11.50	\$15.60	\$0.00	\$60.67
	06/01/2020	\$34.32	\$11.50	\$15.60	\$0.00	\$61.42
	12/01/2020	\$35.10	\$11.50	\$15.60	\$0.00	\$62.20
	06/01/2021	\$35.85	\$11.50	\$15.60	\$0.00	\$62.95
	12/01/2021	\$36.64	\$11.50	\$15.60	\$0.00	\$63.74
For apprentice rates see "Apprentice- OPERATING ENGINEERS"						
READY-MIX CONCRETE DRIVER <i>TEAMSTERS LOCAL 59</i>	06/01/2008	\$19.00	\$5.10	\$4.21	\$0.00	\$28.31
RECLAIMERS <i>OPERATING ENGINEERS LOCAL 4</i>	12/01/2018	\$47.10	\$11.50	\$15.60	\$0.00	\$74.20
	06/01/2019	\$48.19	\$11.50	\$15.60	\$0.00	\$75.29
	12/01/2019	\$49.33	\$11.50	\$15.60	\$0.00	\$76.43
	06/01/2020	\$50.41	\$11.50	\$15.60	\$0.00	\$77.51
	12/01/2020	\$51.55	\$11.50	\$15.60	\$0.00	\$78.65
	06/01/2021	\$52.64	\$11.50	\$15.60	\$0.00	\$79.74
	12/01/2021	\$53.78	\$11.50	\$15.60	\$0.00	\$80.88
For apprentice rates see "Apprentice- OPERATING ENGINEERS"						

Classification	Effective Date	Base Wage	Health	Pension	Supplemental Unemployment	Total Rate
RIDE-ON MOTORIZED BUGGY OPERATOR <i>LABORERS - ZONE 2</i>	12/01/2018	\$33.77	\$7.85	\$14.44	\$0.00	\$56.06
	06/01/2019	\$34.64	\$7.85	\$14.44	\$0.00	\$56.93
	12/01/2019	\$35.50	\$7.85	\$14.44	\$0.00	\$57.79
	06/01/2020	\$36.39	\$7.85	\$14.44	\$0.00	\$58.68
	12/01/2020	\$37.28	\$7.85	\$14.44	\$0.00	\$59.57
	06/01/2021	\$38.20	\$7.85	\$14.44	\$0.00	\$60.49
	12/01/2021	\$39.11	\$7.85	\$14.44	\$0.00	\$61.40
For apprentice rates see "Apprentice- LABORER"						
ROLLER/SPREADER/MULCHING MACHINE <i>OPERATING ENGINEERS LOCAL 4</i>	12/01/2018	\$47.10	\$11.50	\$15.60	\$0.00	\$74.20
	06/01/2019	\$48.19	\$11.50	\$15.60	\$0.00	\$75.29
	12/01/2019	\$49.33	\$11.50	\$15.60	\$0.00	\$76.43
	06/01/2020	\$50.41	\$11.50	\$15.60	\$0.00	\$77.51
	12/01/2020	\$51.55	\$11.50	\$15.60	\$0.00	\$78.65
	06/01/2021	\$52.64	\$11.50	\$15.60	\$0.00	\$79.74
	12/01/2021	\$53.78	\$11.50	\$15.60	\$0.00	\$80.88
For apprentice rates see "Apprentice- OPERATING ENGINEERS"						
ROOFER (Inc.Roofer Waterproofng &Roofer Damproofg) <i>ROOFERS LOCAL 33</i>	02/01/2019	\$43.36	\$11.50	\$15.90	\$0.00	\$70.76

Apprentice - ROOFER - Local 33

Effective Date - 02/01/2019

Step	percent	Apprentice Base Wage	Health	Pension	Supplemental Unemployment	Total Rate
1	50	\$21.68	\$11.50	\$3.69	\$0.00	\$36.87
2	60	\$26.02	\$11.50	\$15.90	\$0.00	\$53.42
3	65	\$28.18	\$11.50	\$15.90	\$0.00	\$55.58
4	75	\$32.52	\$11.50	\$15.90	\$0.00	\$59.92
5	85	\$36.86	\$11.50	\$15.90	\$0.00	\$64.26

Notes: ** 1:5, 2:6-10, the 1:10; Reroofing: 1:4, then 1:1
Step 1 is 2000 hrs.; Steps 2-5 are 1000 hrs.
(Hot Pitch Mechanics' receive \$1.00 hr. above ROOFER)

Apprentice to Journeyworker Ratio:**

ROOFER SLATE / TILE / PRECAST CONCRETE <i>ROOFERS LOCAL 33</i>	02/01/2019	\$43.61	\$11.50	\$15.90	\$0.00	\$71.01
For apprentice rates see "Apprentice- ROOFER"						
SHEETMETAL WORKER <i>SHEETMETAL WORKERS LOCAL 17 - B</i>	10/01/2018	\$35.21	\$12.20	\$16.55	\$1.92	\$65.88
	04/01/2019	\$35.71	\$12.20	\$16.55	\$1.92	\$66.38

Classification

Effective Date Base Wage Health Pension Supplemental Unemployment Total Rate

Apprentice - SHEET METAL WORKER - Local 17-B

Effective Date - 10/01/2018

Step	percent	Apprentice Base Wage	Health	Pension	Supplemental Unemployment	Total Rate
1	40	\$14.08	\$12.20	\$4.02	\$0.93	\$31.23
2	45	\$15.84	\$12.20	\$4.52	\$1.00	\$33.56
3	50	\$17.61	\$12.20	\$10.48	\$1.23	\$41.52
4	55	\$19.37	\$12.20	\$10.48	\$1.29	\$43.34
5	60	\$21.13	\$12.20	\$13.37	\$1.41	\$48.11
6	65	\$22.89	\$12.20	\$13.61	\$1.47	\$50.17
7	70	\$24.65	\$12.20	\$13.85	\$1.53	\$52.23
8	75	\$26.41	\$12.20	\$14.10	\$1.59	\$54.30
9	80	\$28.17	\$12.20	\$14.34	\$1.65	\$56.36
10	85	\$29.93	\$12.20	\$14.58	\$1.71	\$58.42

Effective Date - 04/01/2019

Step	percent	Apprentice Base Wage	Health	Pension	Supplemental Unemployment	Total Rate
1	40	\$14.28	\$12.20	\$4.02	\$0.93	\$31.43
2	45	\$16.07	\$12.20	\$4.52	\$1.00	\$33.79
3	50	\$17.86	\$12.20	\$10.48	\$1.23	\$41.77
4	55	\$19.64	\$12.20	\$10.48	\$1.29	\$43.61
5	60	\$21.43	\$12.20	\$13.52	\$1.41	\$48.56
6	65	\$23.21	\$12.20	\$13.78	\$1.47	\$50.66
7	70	\$25.00	\$12.20	\$14.03	\$1.53	\$52.76
8	75	\$26.78	\$12.20	\$14.28	\$1.59	\$54.85
9	80	\$28.57	\$12.20	\$14.54	\$1.66	\$56.97
10	85	\$30.35	\$12.20	\$14.79	\$1.71	\$59.05

Notes:

Apprentice to Journeyworker Ratio:1:3

SIGN ERECTOR PAINTERS LOCAL 35 - ZONE 2	06/01/2013	\$25.81	\$7.07	\$7.05	\$0.00	\$39.93
--	------------	---------	--------	--------	--------	---------

Classification

Effective Date Base Wage Health Pension Supplemental Unemployment Total Rate

Apprentice - SIGN ERECTOR - Local 35 Zone 2

Effective Date - 06/01/2013

Step	percent	Apprentice Base Wage	Health	Pension	Supplemental Unemployment	Total Rate
1	50	\$12.91	\$7.07	\$0.00	\$0.00	\$19.98
2	55	\$14.20	\$7.07	\$2.45	\$0.00	\$23.72
3	60	\$15.49	\$7.07	\$2.45	\$0.00	\$25.01
4	65	\$16.78	\$7.07	\$2.45	\$0.00	\$26.30
5	70	\$18.07	\$7.07	\$7.05	\$0.00	\$32.19
6	75	\$19.36	\$7.07	\$7.05	\$0.00	\$33.48
7	80	\$20.65	\$7.07	\$7.05	\$0.00	\$34.77
8	85	\$21.94	\$7.07	\$7.05	\$0.00	\$36.06
9	90	\$23.23	\$7.07	\$7.05	\$0.00	\$37.35

Notes:
Steps are 4 mos.

Apprentice to Journeyworker Ratio:1:1

SPECIALIZED EARTH MOVING EQUIP < 35 TONS <i>TEAMSTERS JOINT COUNCIL NO. 10 ZONE B</i>	12/01/2018	\$33.54	\$11.91	\$12.70	\$0.00	\$58.15
	06/01/2019	\$34.54	\$11.91	\$12.70	\$0.00	\$59.15
	08/01/2019	\$34.54	\$12.41	\$12.70	\$0.00	\$59.65
	12/01/2019	\$34.54	\$12.41	\$13.72	\$0.00	\$60.67
	06/01/2020	\$35.44	\$12.41	\$13.72	\$0.00	\$61.57
	08/01/2020	\$35.44	\$12.91	\$13.72	\$0.00	\$62.07
	12/01/2020	\$35.44	\$12.91	\$14.82	\$0.00	\$63.17
	06/01/2021	\$36.24	\$12.91	\$14.82	\$0.00	\$63.97
	08/01/2021	\$36.24	\$13.41	\$14.82	\$0.00	\$64.47
	12/01/2021	\$36.24	\$13.41	\$16.01	\$0.00	\$65.66
SPECIALIZED EARTH MOVING EQUIP > 35 TONS <i>TEAMSTERS JOINT COUNCIL NO. 10 ZONE B</i>	12/01/2018	\$33.83	\$11.91	\$12.70	\$0.00	\$58.44
	06/01/2019	\$34.83	\$11.91	\$12.70	\$0.00	\$59.44
	08/01/2019	\$34.83	\$12.41	\$12.70	\$0.00	\$59.94
	12/01/2019	\$34.83	\$12.41	\$13.72	\$0.00	\$60.96
	06/01/2020	\$35.73	\$12.41	\$13.72	\$0.00	\$61.86
	08/01/2020	\$35.73	\$12.91	\$13.72	\$0.00	\$62.36
	12/01/2020	\$35.73	\$12.91	\$14.82	\$0.00	\$63.46
	06/01/2021	\$36.53	\$12.91	\$14.82	\$0.00	\$64.26
	08/01/2021	\$36.53	\$13.41	\$14.82	\$0.00	\$64.76
	12/01/2021	\$36.53	\$13.41	\$16.01	\$0.00	\$65.95
SPRINKLER FITTER <i>SPRINKLER FITTERS LOCAL 550 - (Section B) Zone 2</i>	03/01/2019	\$53.08	\$9.47	\$19.60	\$0.00	\$82.15
	10/01/2019	\$54.43	\$9.47	\$19.60	\$0.00	\$83.50
	03/01/2020	\$55.78	\$9.47	\$19.60	\$0.00	\$84.85
	10/01/2020	\$57.13	\$9.47	\$19.60	\$0.00	\$86.20
	03/01/2021	\$58.48	\$9.47	\$19.60	\$0.00	\$87.55

Apprentice - SPRINKLER FITTER - Local 550 (Section B) Zone 2

Effective Date - 03/01/2019

Step	percent	Apprentice Base Wage	Health	Pension	Supplemental Unemployment	Total Rate
1	35	\$18.58	\$9.47	\$9.10	\$0.00	\$37.15
2	40	\$21.23	\$9.47	\$9.10	\$0.00	\$39.80
3	45	\$23.89	\$9.47	\$9.10	\$0.00	\$42.46
4	50	\$26.54	\$9.47	\$9.10	\$0.00	\$45.11
5	55	\$29.19	\$9.47	\$9.10	\$0.00	\$47.76
6	60	\$31.85	\$9.47	\$10.60	\$0.00	\$51.92
7	65	\$34.50	\$9.47	\$10.60	\$0.00	\$54.57
8	70	\$37.16	\$9.47	\$10.60	\$0.00	\$57.23
9	75	\$39.81	\$9.47	\$10.60	\$0.00	\$59.88
10	80	\$42.46	\$9.47	\$10.60	\$0.00	\$62.53

Effective Date - 10/01/2019

Step	percent	Apprentice Base Wage	Health	Pension	Supplemental Unemployment	Total Rate
1	35	\$19.05	\$9.47	\$9.10	\$0.00	\$37.62
2	40	\$21.77	\$9.47	\$9.10	\$0.00	\$40.34
3	45	\$24.49	\$9.47	\$9.10	\$0.00	\$43.06
4	50	\$27.22	\$9.47	\$9.10	\$0.00	\$45.79
5	55	\$29.94	\$9.47	\$9.10	\$0.00	\$48.51
6	60	\$32.66	\$9.47	\$10.60	\$0.00	\$52.73
7	65	\$35.38	\$9.47	\$10.60	\$0.00	\$55.45
8	70	\$38.10	\$9.47	\$10.60	\$0.00	\$58.17
9	75	\$40.82	\$9.47	\$10.60	\$0.00	\$60.89
10	80	\$43.54	\$9.47	\$10.60	\$0.00	\$63.61

Notes: Apprentice entered prior 9/30/10:
40/45/50/55/60/65/70/75/80/85
Steps are 850 hours

Apprentice to Journeyworker Ratio:1:3

STEAM BOILER OPERATOR	12/01/2018	\$47.10	\$11.50	\$15.60	\$0.00	\$74.20
OPERATING ENGINEERS LOCAL 4	06/01/2019	\$48.19	\$11.50	\$15.60	\$0.00	\$75.29
	12/01/2019	\$49.33	\$11.50	\$15.60	\$0.00	\$76.43
	06/01/2020	\$50.41	\$11.50	\$15.60	\$0.00	\$77.51
	12/01/2020	\$51.55	\$11.50	\$15.60	\$0.00	\$78.65
	06/01/2021	\$52.64	\$11.50	\$15.60	\$0.00	\$79.74
	12/01/2021	\$53.78	\$11.50	\$15.60	\$0.00	\$80.88

For apprentice rates see "Apprentice- OPERATING ENGINEERS"

Classification	Effective Date	Base Wage	Health	Pension	Supplemental Unemployment	Total Rate
TAMPERS, SELF-PROPELLED OR TRACTOR DRAWN <i>OPERATING ENGINEERS LOCAL 4</i>	12/01/2018	\$47.10	\$11.50	\$15.60	\$0.00	\$74.20
	06/01/2019	\$48.19	\$11.50	\$15.60	\$0.00	\$75.29
	12/01/2019	\$49.33	\$11.50	\$15.60	\$0.00	\$76.43
	06/01/2020	\$50.41	\$11.50	\$15.60	\$0.00	\$77.51
	12/01/2020	\$51.55	\$11.50	\$15.60	\$0.00	\$78.65
	06/01/2021	\$52.64	\$11.50	\$15.60	\$0.00	\$79.74
	12/01/2021	\$53.78	\$11.50	\$15.60	\$0.00	\$80.88

For apprentice rates see "Apprentice- OPERATING ENGINEERS"

TELECOMMUNICATION TECHNICIAN <i>ELECTRICIANS LOCAL 223</i>	03/01/2019	\$35.25	\$9.90	\$11.14	\$0.00	\$56.29
	09/01/2019	\$35.78	\$10.15	\$11.45	\$0.00	\$57.38
	03/01/2020	\$36.27	\$10.40	\$11.78	\$0.00	\$58.45

Apprentice - TELECOMMUNICATION TECHNICIAN - Local 223

Effective Date - 03/01/2019

Step	percent	Apprentice Base Wage	Health	Pension	Supplemental Unemployment	Total Rate
1	0	\$0.00	\$0.00	\$0.00	\$0.00	\$0.00

Notes: See Electrician Apprentice Wages
Steps are 750hrs
Telecom Apprentice Wages shall be the same as the Electrician Apprentice Wages

Apprentice to Journeyworker Ratio:2:3***

TERRAZZO FINISHERS <i>BRICKLAYERS LOCAL 3 - MARBLE & TILE</i>	02/01/2019	\$52.49	\$10.75	\$20.66	\$0.00	\$83.90
	08/01/2019	\$53.84	\$10.75	\$20.80	\$0.00	\$85.39
	02/01/2020	\$54.48	\$10.75	\$20.80	\$0.00	\$86.03
	08/01/2020	\$55.83	\$10.75	\$20.95	\$0.00	\$87.53
	02/01/2021	\$56.47	\$10.75	\$20.95	\$0.00	\$88.17
	08/01/2021	\$57.87	\$10.75	\$21.11	\$0.00	\$89.73
	02/01/2022	\$58.46	\$10.75	\$21.11	\$0.00	\$90.32

Classification

Effective Date Base Wage Health Pension Supplemental Unemployment Total Rate

Apprentice - TERRAZZO FINISHER - Local 3 Marble & Tile

Effective Date - 02/01/2019

Step	percent	Apprentice Base Wage	Health	Pension	Supplemental Unemployment	Total Rate
1	50	\$26.25	\$10.75	\$20.03	\$0.00	\$57.03
2	60	\$31.49	\$10.75	\$20.03	\$0.00	\$62.27
3	70	\$36.74	\$10.75	\$20.03	\$0.00	\$67.52
4	80	\$41.99	\$10.75	\$20.03	\$0.00	\$72.77
5	90	\$47.24	\$10.75	\$20.03	\$0.00	\$78.02

Effective Date - 08/01/2019

Step	percent	Apprentice Base Wage	Health	Pension	Supplemental Unemployment	Total Rate
1	50	\$26.92	\$10.75	\$20.80	\$0.00	\$58.47
2	60	\$32.30	\$10.75	\$20.80	\$0.00	\$63.85
3	70	\$37.69	\$10.75	\$20.80	\$0.00	\$69.24
4	80	\$43.07	\$10.75	\$20.80	\$0.00	\$74.62
5	90	\$48.46	\$10.75	\$20.80	\$0.00	\$80.01

Notes:

Apprentice to Journeyworker Ratio:1:3

TEST BORING DRILLER <i>LABORERS - FOUNDATION AND MARINE</i>	12/01/2018	\$40.00	\$7.85	\$15.55	\$0.00	\$63.40
	06/01/2019	\$41.00	\$7.85	\$15.55	\$0.00	\$64.40
	12/01/2019	\$42.00	\$7.85	\$15.55	\$0.00	\$65.40
	06/01/2020	\$42.99	\$7.85	\$15.55	\$0.00	\$66.39
	12/01/2020	\$43.97	\$7.85	\$15.55	\$0.00	\$67.37
	06/01/2021	\$44.99	\$7.85	\$15.55	\$0.00	\$68.39
	12/01/2021	\$46.00	\$7.85	\$15.55	\$0.00	\$69.40

For apprentice rates see "Apprentice- LABORER"

TEST BORING DRILLER HELPER <i>LABORERS - FOUNDATION AND MARINE</i>	12/01/2018	\$38.72	\$7.85	\$15.55	\$0.00	\$62.12
	06/01/2019	\$39.72	\$7.85	\$15.55	\$0.00	\$63.12
	12/01/2019	\$40.72	\$7.85	\$15.55	\$0.00	\$64.12
	06/01/2020	\$41.71	\$7.85	\$15.55	\$0.00	\$65.11
	12/01/2020	\$42.69	\$7.85	\$15.55	\$0.00	\$66.09
	06/01/2021	\$43.71	\$7.85	\$15.55	\$0.00	\$67.11
	12/01/2021	\$44.72	\$7.85	\$15.55	\$0.00	\$68.12

For apprentice rates see "Apprentice- LABORER"

TEST BORING LABORER <i>LABORERS - FOUNDATION AND MARINE</i>	12/01/2018	\$38.60	\$7.85	\$15.55	\$0.00	\$62.00
	06/01/2019	\$39.60	\$7.85	\$15.55	\$0.00	\$63.00
	12/01/2019	\$40.60	\$7.85	\$15.55	\$0.00	\$64.00
	06/01/2020	\$41.59	\$7.85	\$15.55	\$0.00	\$64.99
	12/01/2020	\$42.57	\$7.85	\$15.55	\$0.00	\$65.97
	06/01/2021	\$43.59	\$7.85	\$15.55	\$0.00	\$66.99
	12/01/2021	\$44.60	\$7.85	\$15.55	\$0.00	\$68.00

For apprentice rates see "Apprentice- LABORER"

Classification	Effective Date	Base Wage	Health	Pension	Supplemental Unemployment	Total Rate
TRACTORS/PORTABLE STEAM GENERATORS <i>OPERATING ENGINEERS LOCAL 4</i>	12/01/2018	\$47.10	\$11.50	\$15.60	\$0.00	\$74.20
	06/01/2019	\$48.19	\$11.50	\$15.60	\$0.00	\$75.29
	12/01/2019	\$49.33	\$11.50	\$15.60	\$0.00	\$76.43
	06/01/2020	\$50.41	\$11.50	\$15.60	\$0.00	\$77.51
	12/01/2020	\$51.55	\$11.50	\$15.60	\$0.00	\$78.65
	06/01/2021	\$52.64	\$11.50	\$15.60	\$0.00	\$79.74
	12/01/2021	\$53.78	\$11.50	\$15.60	\$0.00	\$80.88
For apprentice rates see "Apprentice- OPERATING ENGINEERS"						
TRAILERS FOR EARTH MOVING EQUIPMENT <i>TEAMSTERS JOINT COUNCIL NO. 10 ZONE B</i>	12/01/2018	\$34.12	\$11.91	\$12.70	\$0.00	\$58.73
	06/01/2019	\$35.12	\$11.91	\$12.70	\$0.00	\$59.73
	08/01/2019	\$35.12	\$12.41	\$12.70	\$0.00	\$60.23
	12/01/2019	\$35.12	\$12.41	\$13.72	\$0.00	\$61.25
	06/01/2020	\$36.02	\$12.41	\$13.72	\$0.00	\$62.15
	08/01/2020	\$36.02	\$12.91	\$13.72	\$0.00	\$62.65
	12/01/2020	\$36.02	\$12.91	\$14.82	\$0.00	\$63.75
	06/01/2021	\$36.82	\$12.91	\$14.82	\$0.00	\$64.55
	08/01/2021	\$36.82	\$13.41	\$14.82	\$0.00	\$65.05
	12/01/2021	\$36.82	\$13.41	\$16.01	\$0.00	\$66.24
TUNNEL WORK - COMPRESSED AIR <i>LABORERS (COMPRESSED AIR)</i>	12/01/2018	\$50.88	\$7.85	\$15.95	\$0.00	\$74.68
	06/01/2019	\$51.88	\$7.85	\$15.95	\$0.00	\$75.68
	12/01/2019	\$52.88	\$7.85	\$15.95	\$0.00	\$76.68
	06/01/2020	\$53.87	\$7.85	\$15.95	\$0.00	\$77.67
	12/01/2020	\$54.85	\$7.85	\$15.95	\$0.00	\$78.65
	06/01/2021	\$55.87	\$7.85	\$15.95	\$0.00	\$79.67
	12/01/2021	\$56.88	\$7.85	\$15.95	\$0.00	\$80.68
For apprentice rates see "Apprentice- LABORER"						
TUNNEL WORK - COMPRESSED AIR (HAZ. WASTE) <i>LABORERS (COMPRESSED AIR)</i>	12/01/2018	\$52.88	\$7.85	\$15.95	\$0.00	\$76.68
	06/01/2019	\$53.88	\$7.85	\$15.95	\$0.00	\$77.68
	12/01/2019	\$54.88	\$7.85	\$15.95	\$0.00	\$78.68
	06/01/2020	\$55.87	\$7.85	\$15.95	\$0.00	\$79.67
	12/01/2020	\$56.85	\$7.85	\$15.95	\$0.00	\$80.65
	06/01/2021	\$57.87	\$7.85	\$15.95	\$0.00	\$81.67
	12/01/2021	\$58.88	\$7.85	\$15.95	\$0.00	\$82.68
For apprentice rates see "Apprentice- LABORER"						
TUNNEL WORK - FREE AIR <i>LABORERS (FREE AIR TUNNEL)</i>	12/01/2018	\$42.95	\$7.85	\$15.95	\$0.00	\$66.75
	06/01/2019	\$43.95	\$7.85	\$15.95	\$0.00	\$67.75
	12/01/2019	\$44.95	\$7.85	\$15.95	\$0.00	\$68.75
	06/01/2020	\$45.94	\$7.85	\$15.95	\$0.00	\$69.74
	12/01/2020	\$46.92	\$7.85	\$15.95	\$0.00	\$70.72
	06/01/2021	\$47.94	\$7.85	\$15.95	\$0.00	\$71.74
	12/01/2021	\$48.95	\$7.85	\$15.95	\$0.00	\$72.75
For apprentice rates see "Apprentice- LABORER"						

Classification	Effective Date	Base Wage	Health	Pension	Supplemental Unemployment	Total Rate
TUNNEL WORK - FREE AIR (HAZ. WASTE) <i>LABORERS (FREE AIR TUNNEL)</i>	12/01/2018	\$44.95	\$7.85	\$15.95	\$0.00	\$68.75
	06/01/2019	\$45.95	\$7.85	\$15.95	\$0.00	\$69.75
	12/01/2019	\$46.95	\$7.85	\$15.95	\$0.00	\$70.75
	06/01/2020	\$47.94	\$7.85	\$15.95	\$0.00	\$71.74
	12/01/2020	\$48.92	\$7.85	\$15.95	\$0.00	\$72.72
	06/01/2021	\$49.94	\$7.85	\$15.95	\$0.00	\$73.74
	12/01/2021	\$50.95	\$7.85	\$15.95	\$0.00	\$74.75
For apprentice rates see "Apprentice- LABORER"						
VAC-HAUL <i>TEAMSTERS JOINT COUNCIL NO. 10 ZONE B</i>	12/01/2018	\$33.54	\$11.91	\$12.70	\$0.00	\$58.15
	06/01/2019	\$34.54	\$11.91	\$12.70	\$0.00	\$59.15
	08/01/2019	\$34.54	\$12.41	\$12.70	\$0.00	\$59.65
	12/01/2019	\$34.54	\$12.41	\$13.72	\$0.00	\$60.67
	06/01/2020	\$35.44	\$12.41	\$13.72	\$0.00	\$61.57
	08/01/2020	\$35.44	\$12.91	\$13.72	\$0.00	\$62.07
	12/01/2020	\$35.44	\$12.91	\$14.82	\$0.00	\$63.17
	06/01/2021	\$36.24	\$12.91	\$14.82	\$0.00	\$63.97
	08/01/2021	\$36.24	\$13.41	\$14.82	\$0.00	\$64.47
	12/01/2021	\$36.24	\$13.41	\$16.01	\$0.00	\$65.66
WAGON DRILL OPERATOR <i>LABORERS - ZONE 2</i>	12/01/2018	\$33.77	\$7.85	\$14.44	\$0.00	\$56.06
	06/01/2019	\$34.64	\$7.85	\$14.44	\$0.00	\$56.93
	12/01/2019	\$35.50	\$7.85	\$14.44	\$0.00	\$57.79
	06/01/2020	\$36.39	\$7.85	\$14.44	\$0.00	\$58.68
	12/01/2020	\$37.28	\$7.85	\$14.44	\$0.00	\$59.57
	06/01/2021	\$38.20	\$7.85	\$14.44	\$0.00	\$60.49
	12/01/2021	\$39.11	\$7.85	\$14.44	\$0.00	\$61.40
For apprentice rates see "Apprentice- LABORER"						
WASTE WATER PUMP OPERATOR <i>OPERATING ENGINEERS LOCAL 4</i>	12/01/2018	\$47.58	\$11.50	\$15.60	\$0.00	\$74.68
	06/01/2019	\$48.68	\$11.50	\$15.60	\$0.00	\$75.78
	12/01/2019	\$49.83	\$11.50	\$15.60	\$0.00	\$76.93
	06/01/2020	\$50.93	\$11.50	\$15.60	\$0.00	\$78.03
	12/01/2020	\$52.08	\$11.50	\$15.60	\$0.00	\$79.18
	06/01/2021	\$53.18	\$11.50	\$15.60	\$0.00	\$80.28
	12/01/2021	\$54.33	\$11.50	\$15.60	\$0.00	\$81.43
For apprentice rates see "Apprentice- OPERATING ENGINEERS"						
WATER METER INSTALLER <i>PLUMBERS & PIPEFITTERS LOCAL 51</i>	09/01/2018	\$42.04	\$10.00	\$18.20	\$0.00	\$70.24
For apprentice rates see "Apprentice- PLUMBER/PIPEFITTER" or "PLUMBER/GASFITTER"						
Outside Electrical - East						
CABLE TECHNICIAN (Power Zone) <i>OUTSIDE ELECTRICAL WORKERS - EAST LOCAL 104</i>	09/03/2017	\$27.14	\$7.75	\$1.81	\$0.00	\$36.70
For apprentice rates see "Apprentice- LINEMAN"						
CABLEMAN (Underground Ducts & Cables) <i>OUTSIDE ELECTRICAL WORKERS - EAST LOCAL 104</i>	09/03/2017	\$38.45	\$7.75	\$9.53	\$0.00	\$55.73
For apprentice rates see "Apprentice- LINEMAN"						
DRIVER / GROUNDMAN CDL <i>OUTSIDE ELECTRICAL WORKERS - EAST LOCAL 104</i>	09/03/2017	\$31.66	\$7.75	\$9.44	\$0.00	\$48.85
For apprentice rates see "Apprentice- LINEMAN"						

Classification	Effective Date	Base Wage	Health	Pension	Supplemental Unemployment	Total Rate
DRIVER / GROUNDMAN -Inexperienced (<2000 Hrs) <i>OUTSIDE ELECTRICAL WORKERS - EAST LOCAL 104</i>	09/03/2017	\$24.88	\$7.75	\$1.75	\$0.00	\$34.38
For apprentice rates see "Apprentice- LINEMAN"						
EQUIPMENT OPERATOR (Class A CDL) <i>OUTSIDE ELECTRICAL WORKERS - EAST LOCAL 104</i>	09/03/2017	\$38.45	\$7.75	\$13.61	\$0.00	\$59.81
For apprentice rates see "Apprentice- LINEMAN"						
EQUIPMENT OPERATOR (Class B CDL) <i>OUTSIDE ELECTRICAL WORKERS - EAST LOCAL 104</i>	09/03/2017	\$33.92	\$7.75	\$10.21	\$0.00	\$51.88
For apprentice rates see "Apprentice- LINEMAN"						
GROUNDMAN <i>OUTSIDE ELECTRICAL WORKERS - EAST LOCAL 104</i>	09/03/2017	\$24.88	\$7.75	\$1.75	\$0.00	\$34.38
For apprentice rates see "Apprentice- LINEMAN"						
GROUNDMAN -Inexperienced (<2000 Hrs.) <i>OUTSIDE ELECTRICAL WORKERS - EAST LOCAL 104</i>	09/03/2017	\$20.35	\$7.75	\$1.61	\$0.00	\$29.71
For apprentice rates see "Apprentice- LINEMAN"						
JOURNEYMAN LINEMAN <i>OUTSIDE ELECTRICAL WORKERS - EAST LOCAL 104</i>	09/03/2017	\$45.23	\$7.75	\$16.61	\$0.00	\$69.59

Apprentice - LINEMAN (Outside Electrical) - East Local 104

Effective Date - 09/03/2017

Step	percent	Apprentice Base Wage	Health	Pension	Supplemental Unemployment	Total Rate
1	60	\$27.14	\$7.75	\$3.31	\$0.00	\$38.20
2	65	\$29.40	\$7.75	\$3.38	\$0.00	\$40.53
3	70	\$31.66	\$7.75	\$3.45	\$0.00	\$42.86
4	75	\$33.92	\$7.75	\$5.02	\$0.00	\$46.69
5	80	\$36.18	\$7.75	\$5.09	\$0.00	\$49.02
6	85	\$38.45	\$7.75	\$5.15	\$0.00	\$51.35
7	90	\$40.71	\$7.75	\$7.22	\$0.00	\$55.68

Notes:

Apprentice to Journeyworker Ratio:1:2

TELEDATA CABLE SPLICER <i>OUTSIDE ELECTRICAL WORKERS - EAST LOCAL 104</i>	02/04/2019	\$30.73	\$4.70	\$3.17	\$0.00	\$38.60
TELEDATA LINEMAN/EQUIPMENT OPERATOR <i>OUTSIDE ELECTRICAL WORKERS - EAST LOCAL 104</i>	02/04/2019	\$28.93	\$4.70	\$3.14	\$0.00	\$36.77
TELEDATA WIREMAN/INSTALLER/TECHNICIAN <i>OUTSIDE ELECTRICAL WORKERS - EAST LOCAL 104</i>	02/04/2019	\$28.93	\$4.70	\$3.14	\$0.00	\$36.77
TREE TRIMMER <i>OUTSIDE ELECTRICAL WORKERS - EAST LOCAL 104</i>	01/31/2016	\$18.51	\$3.55	\$0.00	\$0.00	\$22.06
This classification applies only to tree work done: (a) for a utility company, R.E.A. cooperative, or railroad or coal mining company, and (b) for the purpose of operating, maintaining, or repairing the utility company's equipment, and (c) by a person who is using hand or mechanical cutting methods and is not on the ground. This classification does not apply to wholesale tree removal.						
TREE TRIMMER GROUNDMAN <i>OUTSIDE ELECTRICAL WORKERS - EAST LOCAL 104</i>	01/31/2016	\$16.32	\$3.55	\$0.00	\$0.00	\$19.87

This classification applies only to tree work done: (a) for a utility company, R.E.A. cooperative, or railroad or coal mining company, and (b) for the purpose of operating, maintaining, or repairing the utility company's equipment, and (c) by a person who is using hand or mechanical cutting methods and is on the ground. This classification does not apply to wholesale tree removal.

Additional Apprentices Information:

Minimum wage rates for apprentices employed on public works projects are listed above as a percentage of the pre-determined hourly wage rate established by the Commissioner under the provisions of the M.G.L. c. 149, ss. 26-27D. Apprentices ratios are established by the Division of Apprenticeship Training pursuant to M.G.L. c. 23, ss. 11E-11L.

All apprentices must be registered with the Division of Apprenticeship Training in accordance with M.G.L. c. 23, ss. 11E-11L.

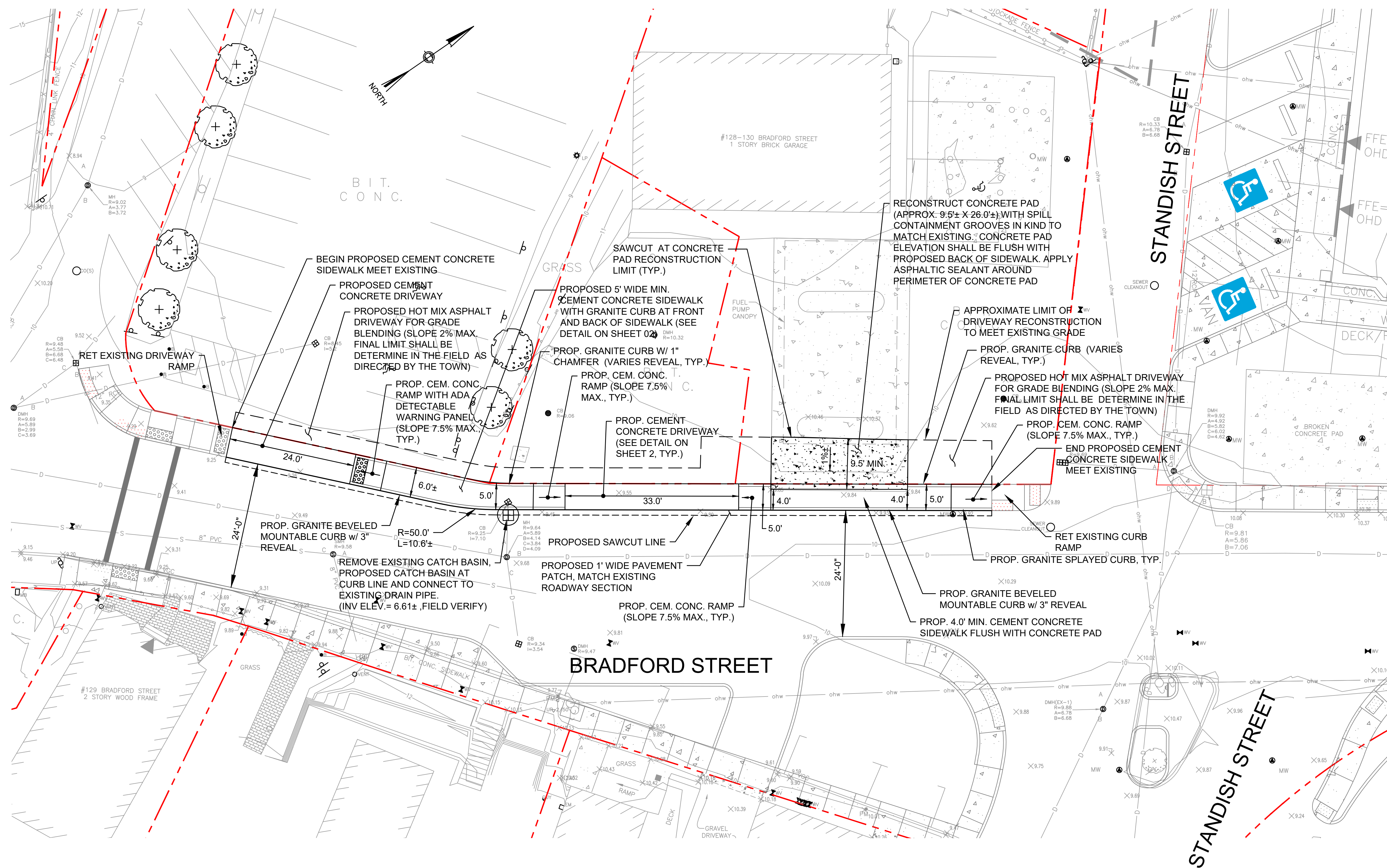
All steps are six months (1000 hours.)

Ratios are expressed in allowable number of apprentices to journeymen or fraction thereof, unless otherwise specified.

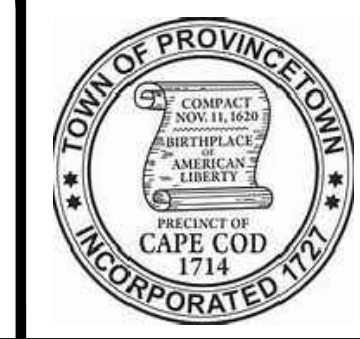
** Multiple ratios are listed in the comment field.

*** APP to JM; 1:1, 2:2, 2:3, 3:4, 4:4, 4:5, 4:6, 5:7, 6:7, 6:8, 6:9, 7:10, 8:10, 8:11, 8:12, 9:13, 10:13, 10:14, etc.

**** APP to JM; 1:1, 1:2, 2:3, 2:4, 3:5, 4:6, 4:7, 5:8, 6:9, 6:10, 7:11, 8:12, 8:13, 9:14, 10:15, 10:16, etc.



0 10 20 30 40
SCALE: 1" = 10'

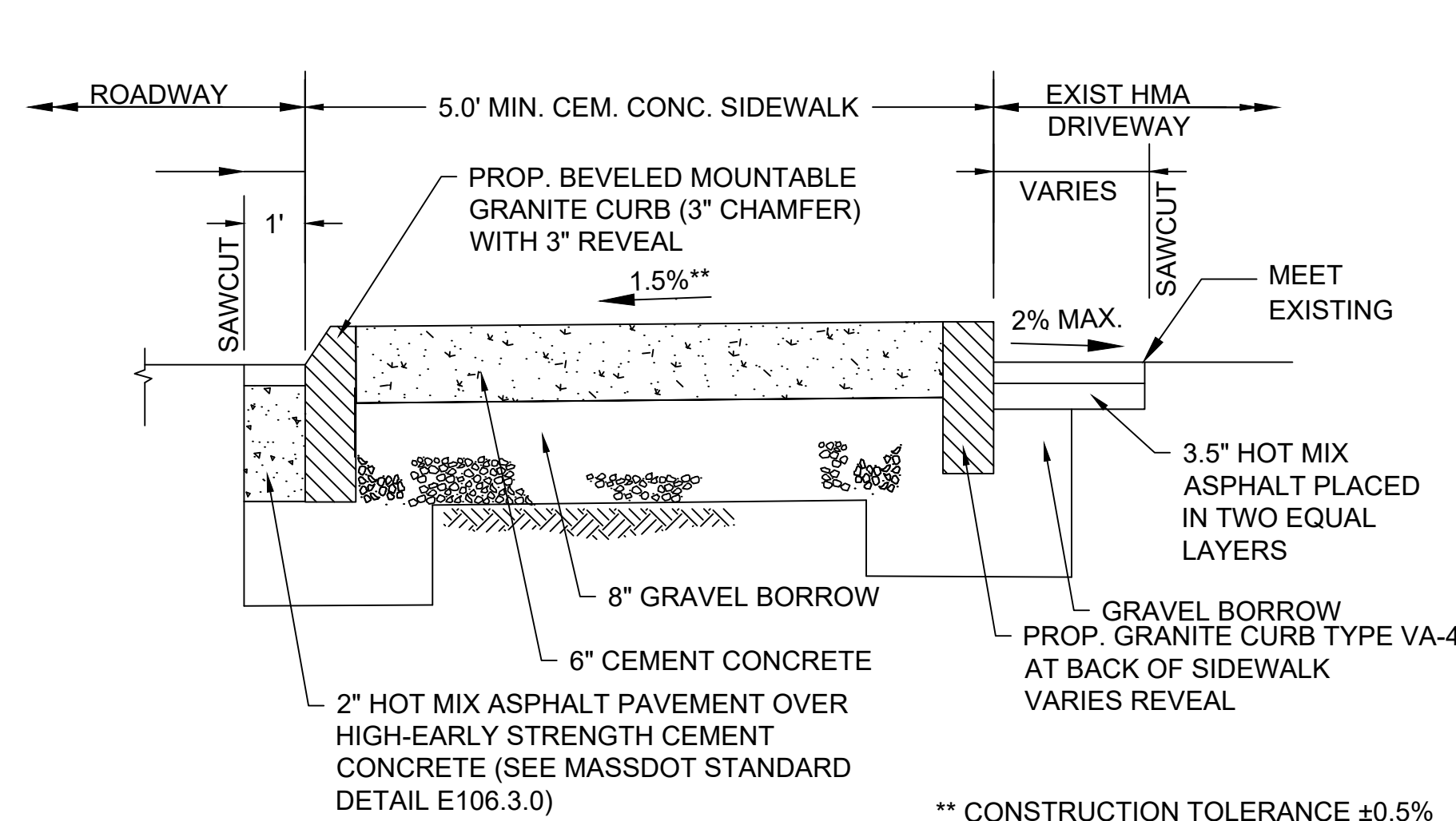


BRADFORD STREET SIDEWALK IMPROVEMENTS
PROVINCETOWN, MA
CONSTRUCTION PLAN
DATE: FEBRUARY 2019 SCALE: 1" = 10'

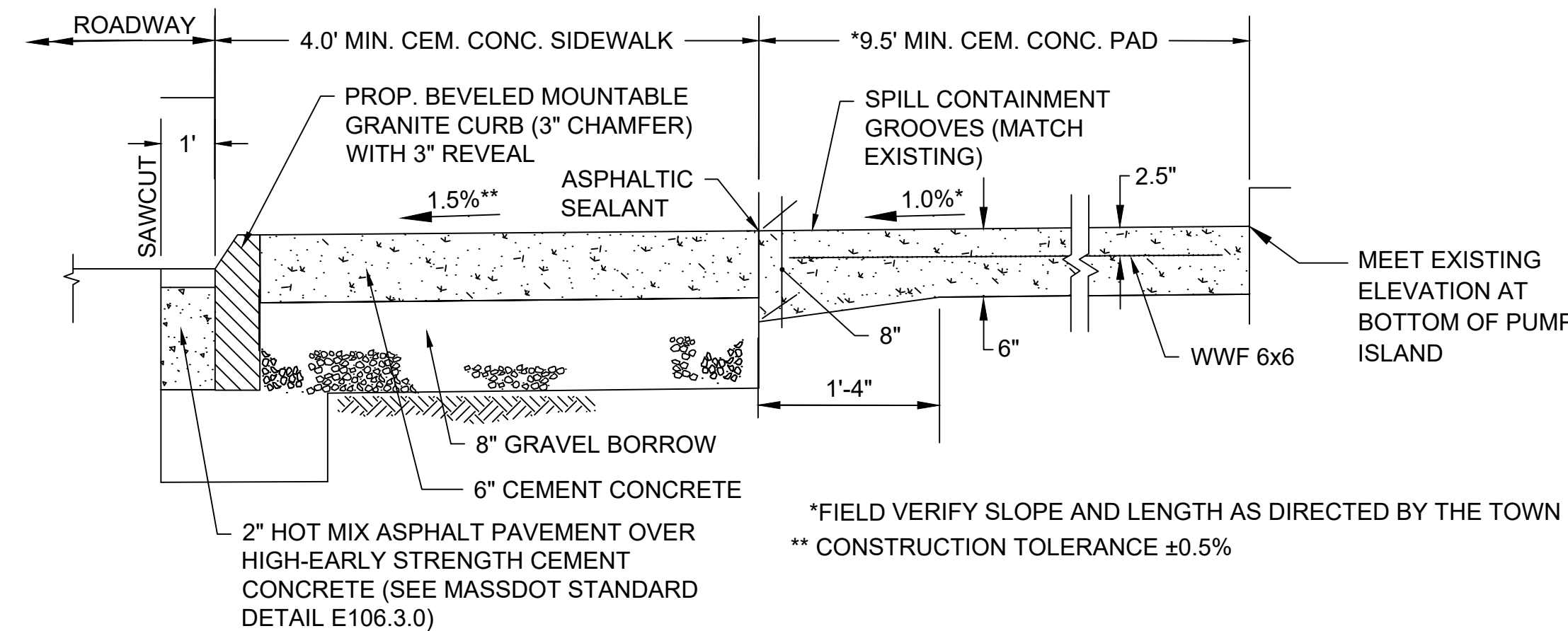
SHEET NO.
01

GENERAL CONSTRUCTION NOTES:

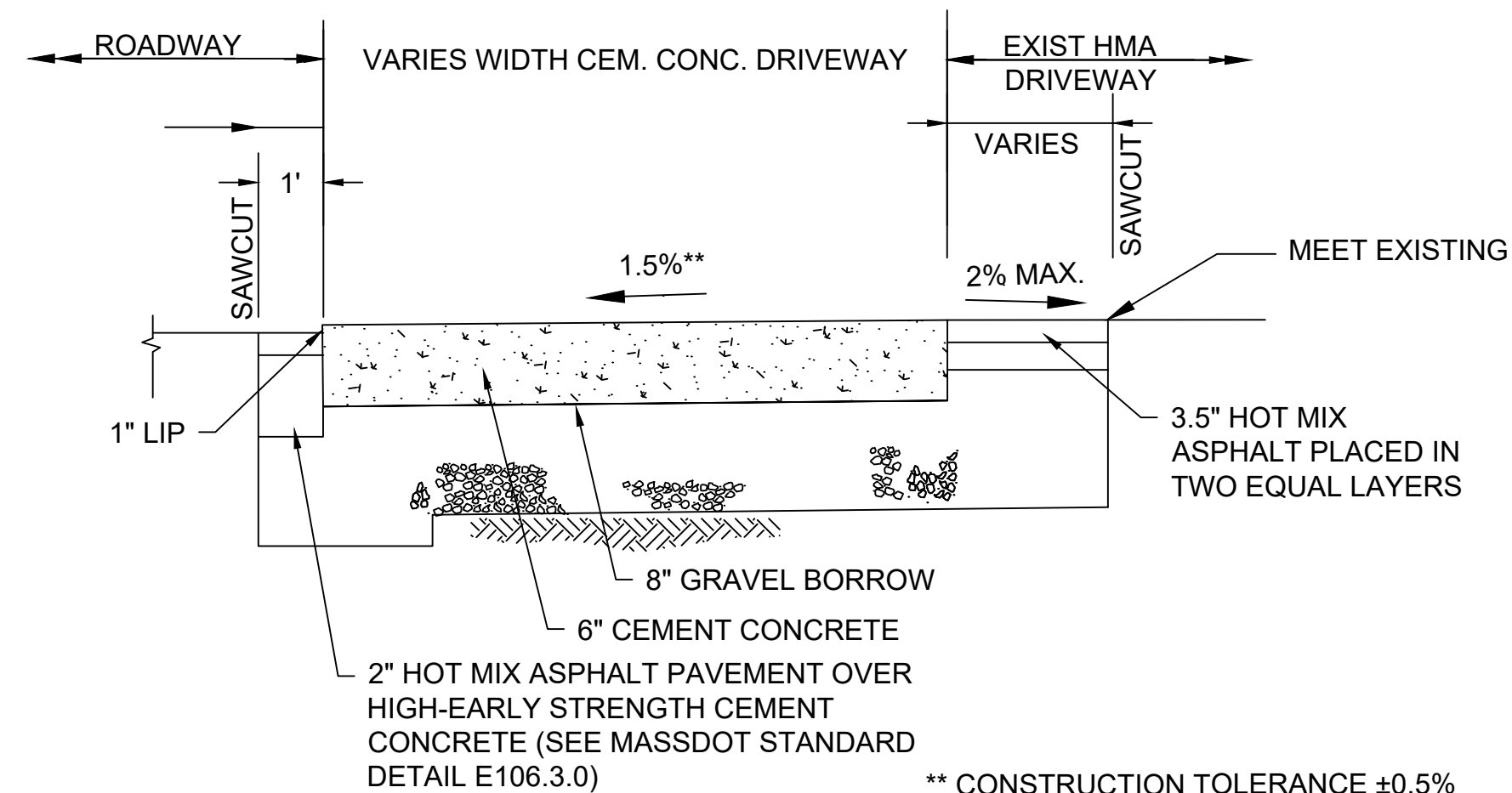
- ALL PROPOSED LAYOUT ARE DRAWN BASED ON THE EXISTING TOPOGRAPHIC SURVEY BASE PLAN PROVIDED BY R.J. O'CONNELL. THE CONTRACTOR SHALL FIELD VERIFY ALL PROPOSED SIDEWALK, DRIVEWAY LOCATIONS RELATIVE TO THE EXISTING ELEVATION AND FEATURES BEFORE ANY CONSTRUCTION.
- CONSTRUCTION SHALL BE IN CONFORMANCE WITH THE FOLLOWING: THE MASSACHUSETTS HIGHWAY DEPARTMENT STANDARD SPECIFICATIONS FOR HIGHWAYS AND BRIDGES DATED 1988, AS AMENDED, THE SUPPLEMENTAL SPECIFICATIONS DATED JULY 1, 2015, THE 2017 CONSTRUCTION STANDARD DETAILS, THE LATEST MANUAL ON UNIFORM TRAFFIC CONTROL DEVICES FOR STREETS AND HIGHWAYS WITH LATEST REVISIONS AND MASSACHUSETTS AMENDMENTS, THE 1990 STANDARD DRAWINGS FOR SIGNS AND SUPPORTS.
- DETECTABLE WARNING PANELS SHALL BE INSTALLED ON ALL WHEELCHAIR RAMPS AS SHOWN ON THE PLAN AND AS DIRECTED BY THE TOWN AND SHALL COMPLY WITH CONSTRUCTION STANDARD E 107.6.5. PAYMENT FOR DETECTABLE WARNING PANELS SHALL BE CONSIDERED INCIDENTAL TO THE CONSTRUCTION OF THE WHEELCHAIR RAMPS OR SIDEWALKS IN WHICH THEY ARE BEING INSTALLED. THE COLOR OF DETECTABLE WARNING PANELS SHALL BE AT THE DIRECTION OF THE TOWN.
- THE TERM "PROPOSED" (PROP) MEANS WORK TO BE CONSTRUCTED HEREIN USING NEW MATERIALS OR WHERE APPLICABLE, REUSING EXISTING MATERIALS IDENTIFIED AS "REMOVE AND RESET" (R&R). ALL OTHER MATERIALS SHALL BE "REMOVED AND DISCARDED" (R&D) OR DISPOSED OF OFF SITE WITH THE EXCEPTION OF MATERIALS LABELED AS "REMOVED AND STACKED" (R&S) WHICH SHALL BE TRANSPORTED AND AND STACKED AT A LOCATION DESIGNATED BY THE TOWN.
- THE CONTRACTOR SHALL BE RESPONSIBLE FOR ALL GRADING BASED ON ACTUAL FIELD CONDITION TO ENSURE THE PROPOSED SIDEWALK AND DRIVEWAY, TRANSITION RAMPS ARE ADA COMPLIANCE PRIOR CONSTRUCTION.
- THE CONTRACTOR SHALL BE RESPONSIBLE TO DETERMINE THE LENGTH OF ALL CURBING BASED ON THE ACTUAL FIELD CONDITIONS AND AS DIRECTED BY THE TOWN PRIOR ORDERING.
- THE CONTRACTOR SHALL MAKE ALL NECESSARY CONSTRUCTION NOTIFICATIONS AND APPLY FOR AND OBTAIN ALL NECESSARY CONSTRUCTION PERMITS.
- THE CONTRACTOR SHALL REPORT TO THE TOWN AND DEPARTMENT OF ENVIRONMENTAL PROTECTION (DEP) IMMEDIATELY IF ANY HAZARDOUS MATERIAL ENCOUNTERED DURING EXCAVATION AT THE GAS STATION.
- ALL EXISTING CONDITIONS SHOWN ARE APPROXIMATE AND ARE BASED ON THE BEST INFORMATION AVAILABLE. PRIOR TO THE START CONSTRUCTION VERIFY THAT THE PROPOSED IMPROVEMENTS SHOWN ON THE PLAN DO NOT CONFLICT WITH ANY KNOWN EXISTING OR OTHER PROPOSED IMPROVEMENTS. IF ANY CONFLICTS ARE DISCOVERED, NOTIFY THE TOWN PRIOR TO INSTALLING ANY PORTION OF THE SITE WORK WHICH WOULD BE AFFECTED.
- THE LOCATION AND/OR ELEVATION OF EXISTING UTILITIES AND STRUCTURES AS INDICATED ON THE DRAWINGS ARE BASED RECORD PLANS. THIS INFORMATION IS NOT TO BE RELIED UPON AS BEING EXACT OR COMPLETE. VERIFY THE LOCATION OF ALL UNDERGROUND UTILITIES AND STRUCTURES IN THE FIELD PRIOR TO THE START OF CONSTRUCTION. CONTACT THE APPROPRIATE UTILITY COMPANY, ANY GOVERNING PERMITTING AUTHORITY IN THE TOWN, AND "DIGSAFE" (1-888-344-7233) AT LEAST 72 HOURS PRIOR TO ANY EXCAVATION WORK IN PREVIOUSLY UNALTERED AREAS TO REQUEST EXACT FIELD LOCATION OF UTILITIES. THE FINAL RIM AND INVERT FOR THE PROPOSED DRAINAGE STRUCTURE SHALL BE DETERMINE IN THE FIELD AND AS DIRECTED BY THE TOWN. THE CONTRACTOR MUST RESOLVE CONFLICTS BETWEEN THE PROPOSED UTILITIES AND FIELD-LOCATED UTILITIES AND REPORT ANY DISCREPANCIES TO THE TOWN IMMEDIATELY. THE ENGINEER ASSUMES NO RESPONSIBILITY FOR DAMAGES INCURRED AS A RESULT OF UTILITIES OMITTED, INCOMPLETELY OR INACCURATELY SHOWN. THE CONTRACTOR MUST MAINTAIN ACCURATE RECORDS OF THE LOCATION AND ELEVATION OF ALL WORK INSTALLED AND EXISTING UTILITIES FOUND DURING CONSTRUCTION FOR THE PREPARATION OF THE AS-BUILT PLAN.
- THE CONTRACTOR SHALL COORDINATE ALL ARRANGEMENTS FOR THE ALTERATION AND OR ADJUSTMENT OF ELECTRIC, TELEPHONE, GAS AND ANY OTHER PRIVATE UTILITY.
- SHOULD AN EXISTING UTILITY BE FOUND TO BE IN CONFLICT WITH THE PROPOSED WORK, THE LOCATION, SIZE AND TYPE SHALL BE ACCURATELY DETERMINED WITHOUT DELAY, BY THE CONTRACTOR, AND THE INFORMATION FURNISHED TO THE TOWN FOR RESOLUTION OF THE CONFLICT.
- THE CONTRACTOR SHALL BE RESPONSIBLE FOR ADJUSTING OR REMODELING ALL DRAINAGE, WATER, OR SEWER STRUCTURES TO THE FINISHED ELEVATION, WITHIN THE LIMITS OF THE PROJECT, UNLESS OTHERWISE NOTED.
- ALL WORK TO COMPLETE THIS PROJECT AS INDICATED ON THE PLAN AND IN THE SPECIFICATIONS IS THE SOLE RESPONSIBILITY OF THE CONTRACTOR.
- THE CONTRACTOR MUST MAINTAIN ALL EXISTING UTILITIES IN WORKING ORDER AND FREE FROM DAMAGE DURING THE ENTIRE DURATION OF THE PROJECT. REPAIR ANY DAMAGE TO EXISTING UTILITY LINES OR STRUCTURES INCURRED DURING CONSTRUCTION OPERATIONS AT NO COST TO THE OWNER. THE CONTRACTOR IS RESPONSIBLE FOR ALL COST RELATED TO THE REPAIR OF UTILITIES. EXCAVATION REQUIRED WITHIN THE PROXIMITY OF EXISTING UTILITY LINES MUST BE DONE BY HAND.
- COORDINATE ALL TRENCHING WORK WITHIN ROADWAYS WITH THE PROPER LOCAL & STATE AGENCY. THE CONTRACTOR IS RESPONSIBLE FOR ALL TRENCH SAFETY INCLUDING ANY LOCAL AND/OR STATE PERMITS REQUIRED FOR THE TRENCH WORK. IF THIS WORK IS REQUIRED TO OCCUR OUTSIDE THE AGREED UPON HOURS OF OPERATION FOR THE FACILITY, THE CONTRACTOR MUST PLAN ACCORDINGLY.
- IMPORT ONLY CLEAN MATERIAL. MATERIAL FROM AN EXISTING OR FORMER 21E SITE AS DEFINED BY THE MASSACHUSETTS CONTINGENCY PLAN 310 CMR 40.0000 WILL NOT BE ACCEPTED.
- FINAL LAYOUT AND GRADING OF THE PROPOSED SIDEWALK, DRIVEWAYS, CONCRETE PAD, AND LIMIT OF SLOPE SHALL BE DETERMINE IN THE FIELD AS DIRECTED BY THE TOWN.
- PROVIDE ALL CONSTRUCTION SERVICE IN ACCORDANCE WITH APPLICABLE LAWS AND REGULATIONS REGARDING NOISE, VIBRATION, DUST, SEDIMENTATION CONTAINMENT, AND TRENCH WORK.
- INSTALL A CATCH BASIN SILT SACK OR APPROVED EQUIVALENT IN EACH EXISTING AND PROPOSED CATCH BASIN RECEIVING RUNOFF FROM THE SITE AND AS DIRECTED BY THE TOWN. UPON THE INSTALLATION OF EACH CATCH BASIN, INSTALL SILT SACK OR APPROVED EQUIVALENT. INSPECT SILT SACKS, AFTER EACH SIGNIFICANT STORM EVENT AND REMOVE AND EMPTY AS NEEDED FOR THE DURATION OF THE CONSTRUCTION PERIOD.



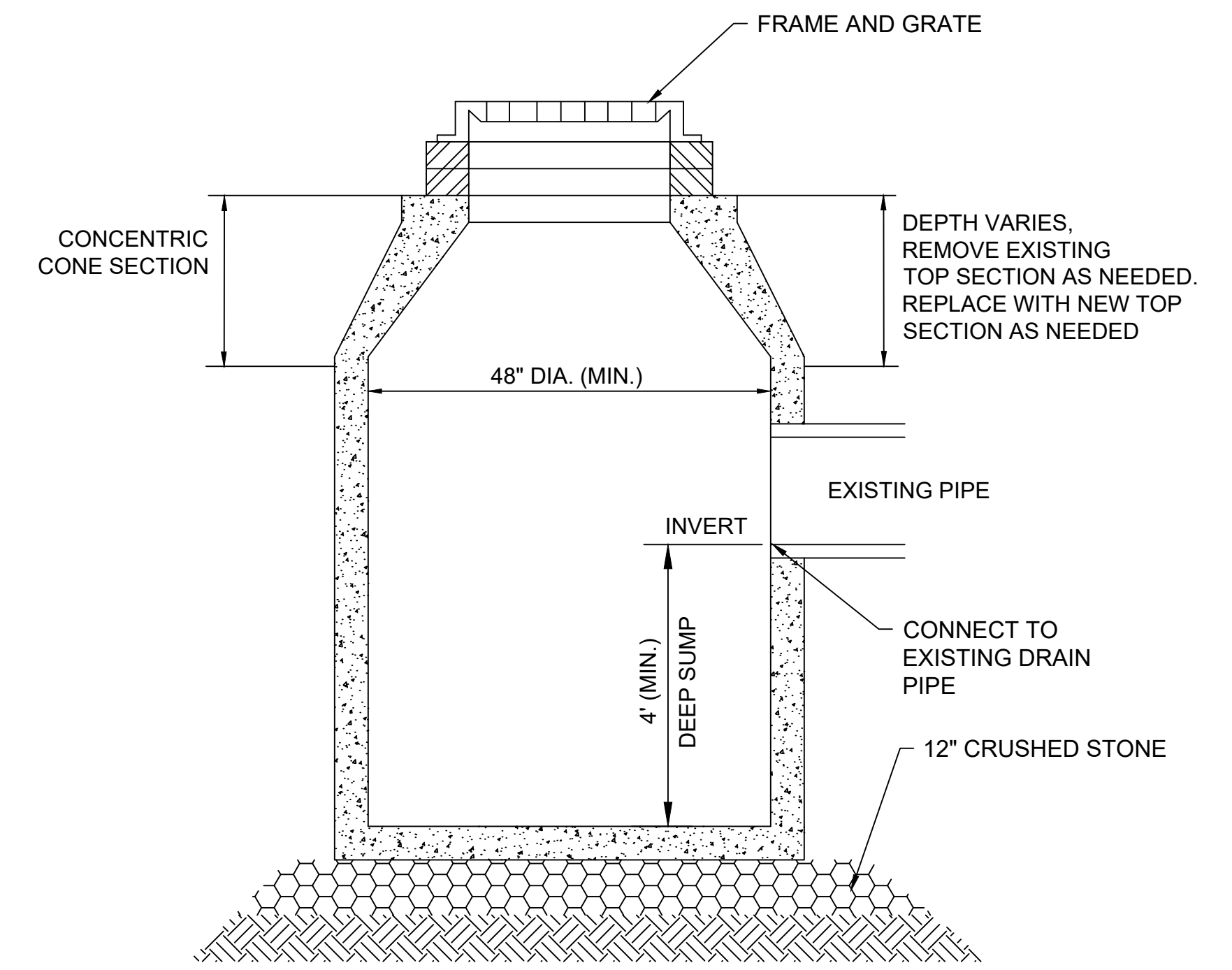
GRANITE CURBING AT FRONT AND BACK OF SIDEWALK
NOT TO SCALE



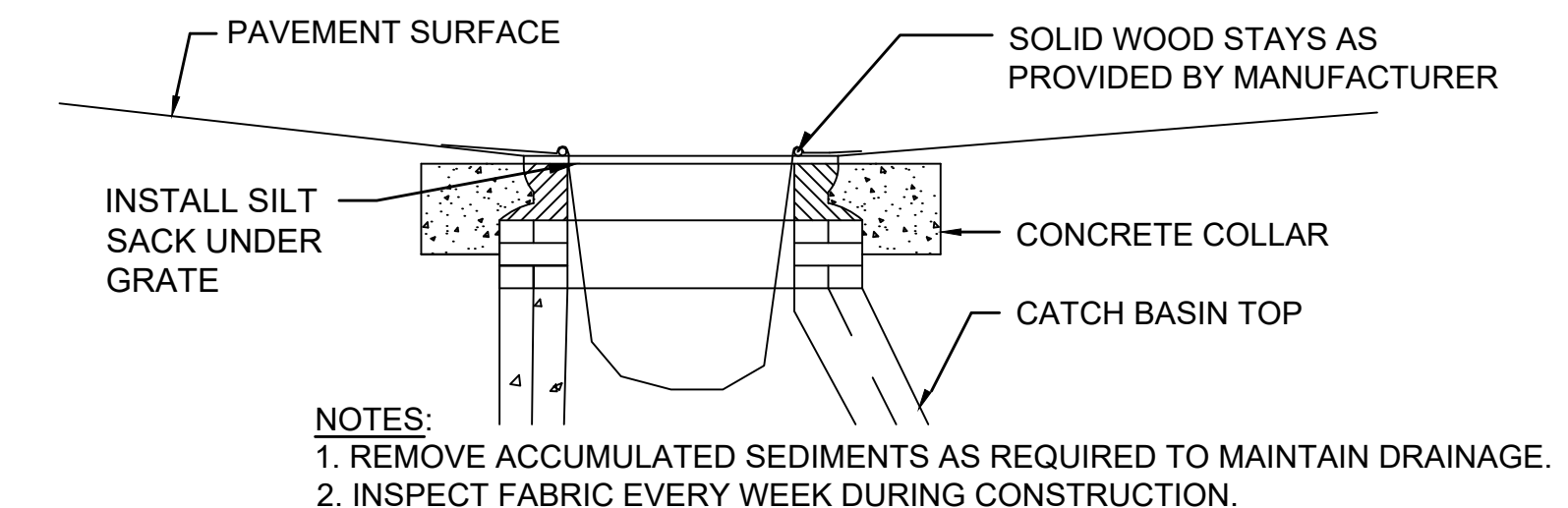
CEMENT CONCRETE SIDEWALK FLUSH WITH CONCRETE PAD DETAIL
NOT TO SCALE



CEMENT CONCRETE DRIVEWAY DETAIL
NOT TO SCALE

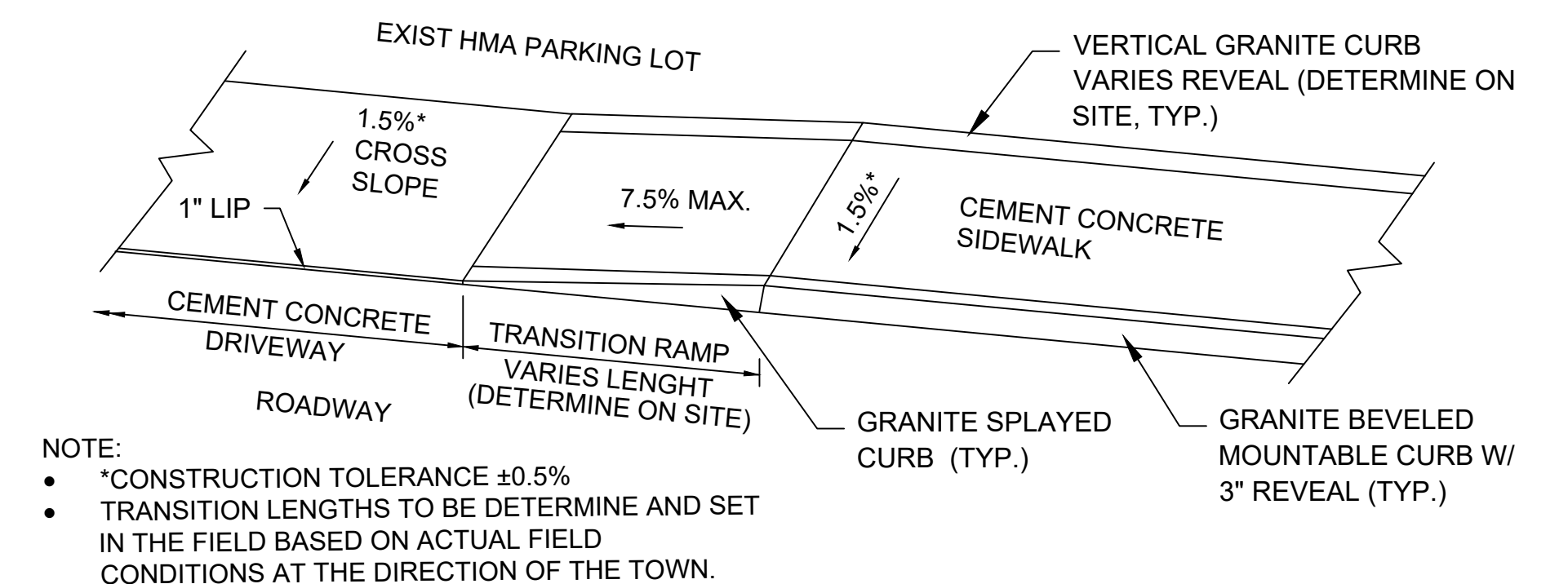


CATCH BASIN DETAIL
NOT TO SCALE



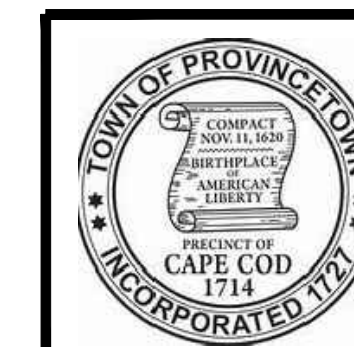
- NOTES:
1. REMOVE ACCUMULATED SEDIMENTS AS REQUIRED TO MAINTAIN DRAINAGE.
2. INSPECT FABRIC EVERY WEEK DURING CONSTRUCTION.

SILT SACK DETAIL
NOT TO SCALE



- NOTE:
• *CONSTRUCTION TOLERANCE ±0.5%
• TRANSITION LENGTHS TO BE DETERMINE AND SET IN THE FIELD BASED ON ACTUAL FIELD CONDITIONS AT THE DIRECTION OF THE TOWN.

DRIVEWAY WITH CURB BOTH SIDES DETAIL
NOT TO SCALE



BRADFORD STREET SIDEWALK IMPROVEMENTS
PROVINCETOWN, MA
GENERAL NOTES AND DETAILS
DATE: FEBRUARY 2019 SCALE: N.T.S.

SHEET NO.
02